



Applications:

Backyards, service road and effective for security and perimeter lighting

Features

- Suitable for WET location/Outdoor
- Voltage is 120-277V.
- Outstanding thermal solution allows for usage in commercial application
- Available in durable polyester dark bronze or silver grey powder coat
- Increase energy savings with photo sensor.
- Replacing 100W MH and 175W MH.
- Operating temperature is -40°C to 45°C (-40°F to 113°F).
- UL/cUL wet location and DLC pending.



Photocell
Optional photocell allows for security and energy saving

Housing
One piece die cast housing better waterproofing, suitable for both indoor and outdoor application

Mounting
Applicable to a variety of diameter installation, 1 5/8 to 2 3/8 compatible, suitable for wall and cylinder installation



PERFORMANCE DATA

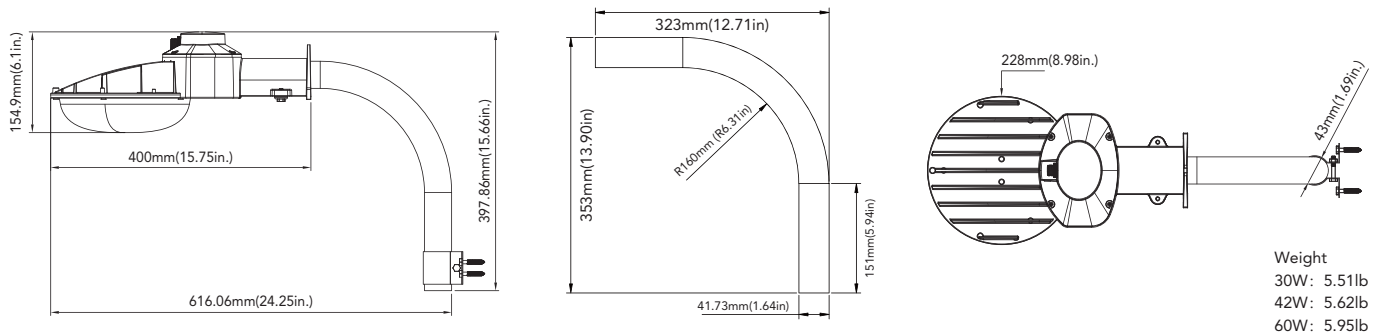
SYSTEM WATTS	VOLTAGE	4000K(70CRI)		5000K(70CRI)	
		LUMENS	LPW	LUMENS	LPW
30W	120-277VAC	3300lm	110 lm/W	3300lm	110 lm/W
42W	120-277VAC	4620lm	110 lm/W	4620lm	110 lm/W
60W	120-277VAC	6600lm	110 lm/W	6600lm	110 lm/W

ELECTRICAL DATA

Number Of Drivers	Driver Current (mA)	Nominal Power (W)	INPUT VOLTAGE (V)	CURRENT (Amps)
1	730	30	120	0.25
		30	208	0.14
		30	240	0.13
		30	277	0.11
1	1020	42	120	0.35
		42	208	0.20
		42	240	0.18
		42	277	0.15
1	1450	60	120	0.50
		60	208	0.29
		60	240	0.25
		60	277	0.22

DIMENSION

unit: inch/mm



PHOTOMETRICS

