



# PERFORMANCE DATA

SYSTEM WATTS	LENS	VOLTAGE	4000K(70CRI)		5000K(70CRI)	
			LUMENS	LPW	LUMENS	LPW
30W	Clear Lens	120-277VAC	3500lm	117 lm/W	3550lm	118 lm/W
	Frosted Lens	120-277VAC	3400lm	113 lm/W	3500lm	117 lm/W
45W	Clear Lens	120-277VAC	4800lm	107 lm/W	4850lm	108 lm/W
	Frosted Lens	120-277VAC	4700lm	104 lm/W	4700lm	104 lm/W
50W	Clear Lens	347VAC	4800lm	96 lm/W	4850lm	97 lm/W
	Frosted Lens	347VAC	4700lm	94 lm/W	4700lm	94 lm/W
60W	Clear Lens	120-277VAC	6100lm	102 lm/W	6150lm	103 lm/W
	Frosted Lens	120-277VAC	6000lm	100 lm/W	6100lm	102 lm/W
60W	Clear Lens	347VAC	6100lm	102 lm/W	6150lm	103 lm/W
	Frosted Lens	347VAC	6000lm	100 lm/W	6100lm	102 lm/W

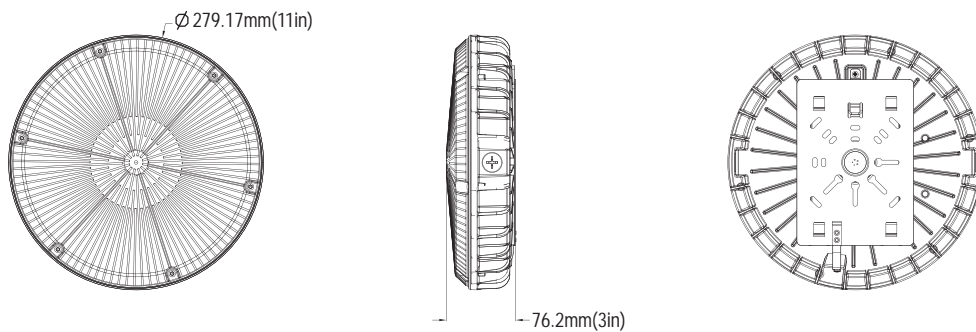
# ELECTRICAL DATA

Number Of Drivers	Driver Current (Amps)	Nominal Power (W)	INPUT VOLTAGE (V)	CURRENT (Amps)
1	0.78	30	120	0.25
		30	208	0.14
		30	240	0.13
		30	277	0.11
1	1.12	45	120	0.38
		45	208	0.22
		45	240	0.19
		45	277	0.16
		50	347	0.14
1	1.48	60	120	0.50
		60	208	0.29
		60	240	0.25
		60	277	0.22
		60	347	0.17

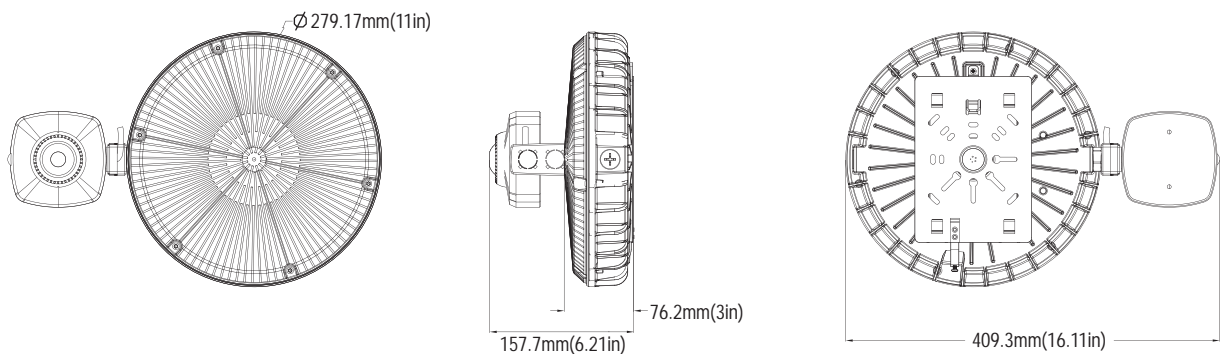
# DIMENSION

unit: inch/mm

Weight:  
30W: 5.225lbs  
45W: 5.335lbs  
60W: 5.533lbs



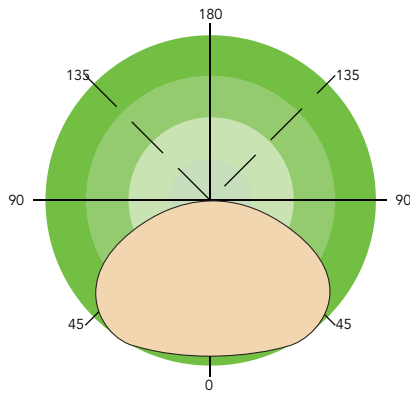
Weight:  
30W: 5.599lbs  
45W: 5.709lbs  
60W: 5.907lbs



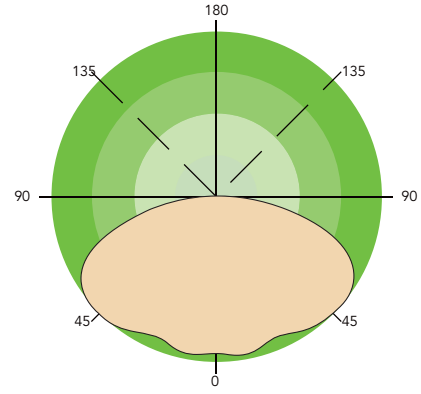
# CHOOSE YOUR OPTICAL DISTRIBUTION

Each optic is designed for a specific purpose. The general distribution allows a wash of light in any application. In addition, we design an optics specially for parking garage.

General



Parking Garage



## ORDERING GUIDE Example: MCP0230W27V40KDMDC

Fixture Type	Power Consumption	Input Voltage	CCT	Finish	Sensor (Option)	Dimmable	Lens
<input type="text"/>	<input type="text"/>	<input type="text"/>	<input type="text"/>	<input type="text"/>	<input type="text"/>	<input type="text"/>	<input type="text"/>
<b>MCP02</b> MCP Series	<b>30W</b> 30Watts <b>45W</b> 45Watts <b>50W</b> 50Watts <b>60W</b> 60Watts	<b>27V</b> 120-277V <b>34V</b> 347V	<b>40K</b> 4000K <b>50K</b> 5000K	<b>D</b> Dark Bronze <b>B</b> Black <b>W</b> White	<b>Blank</b> Without Sensor <b>M</b> With Sensor	<b>D</b> 0-10 Dimmable <b>Blank</b> NON Dimmable	<b>C</b> Clear lens <b>F</b> Frosted lens

Note: The Watt is 45W when the voltage is 120-277V, while when it is 347V, the watt is 50W.

## DLC Model NO.

SYSTEM WATTS	VOLTAGE	CCT	Dimmable	DLC NO.	DLC Classification
30W	120-277V	4000K	NO	MCP0230W27V40K[D,B,W][Blank,M]C	Standard
		5000K	NO	MCP0230W27V50K[D,B,W][Blank,M]C	Standard
		4000K	YES	MCP0230W27V40K[D,B,W][Blank,M]DC	Standard
		5000K	YES	MCP0230W27V50K[D,B,W][Blank,M]DC	Standard
45W	120-277V	4000K	NO	MCP0245W27V40K[D,B,W][Blank,M]C	Standard
		5000K	NO	MCP0245W27V50K[D,B,W][Blank,M]C	Standard
		4000K	YES	MCP0245W27V40K[D,B,W][Blank,M]DC	Standard
		5000K	YES	MCP0245W27V50K[D,B,W][Blank,M]DC	Standard
60W	120-277V	4000K	NO	MCP0260W27V40K[D,B,W][Blank,M1,M2]C	Standard
		5000K	NO	MCP0260W27V50K[D,B,W][Blank,M1,M2]C	Standard
		4000K	YES	MCP0260W27V40K[D,B,W][Blank,M1,M2]DC	Standard
		5000K	YES	MCP0260W27V50K[D,B,W][Blank,M1,M2]DC	Standard