



Ultra Slim LED Panel Light

PRODUCT INFORMATION

DVDLlights' Ultra Slim LED panels are available in 3 sizes (6", 8", 10") diameter. Fabricated with thin, sizable, optical acrylic sheets with high output tier one LEDs embedded along the edge of the LED Light Panels and an engraved light distribution matrix across the back of the panel. This light distribution grid pattern is optimized for each specific panel size to ensure uniform, bright illumination over the face of the panel offering a 150 degree beam angle. Environmentally friendly you can count on NO UV &IR emission, no mercury or other hazardous materials.

Panels use minimal power consumption, offer a long lifespan and bright even light. Try our slim lightweight, easy install, LED panels instead of traditional fluorescent back light systems.



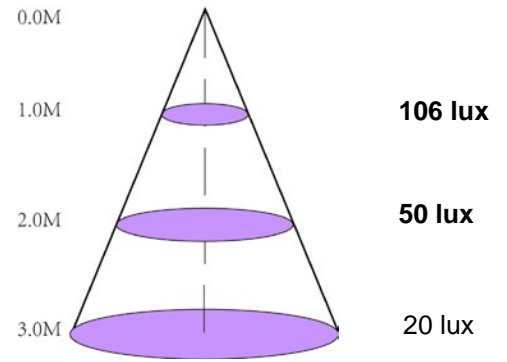
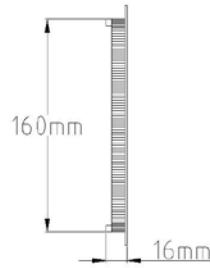
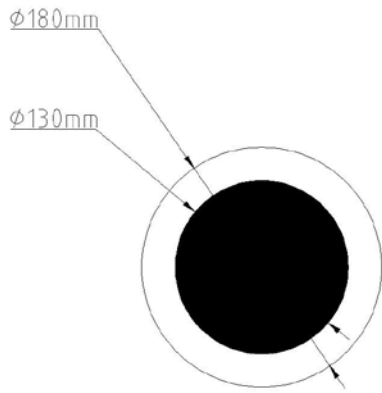
APPLICATION: Office, Hotels, Restaurants, Schools, Meeting Rooms, Hallways & Lobbies, Subway Stations , Indoor Use only.

CERTIFICATIONS: UL Listed, LM79 & LM80, RoHS Compliant, 3 Year Warranty, Fully Recyclable

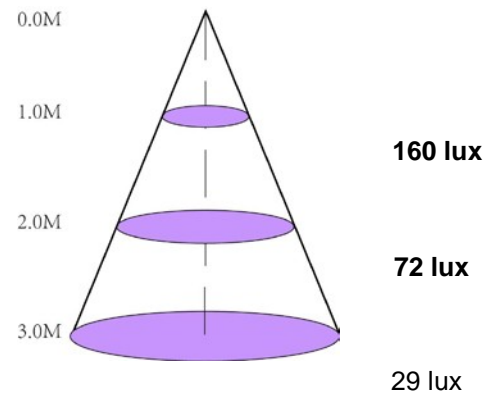
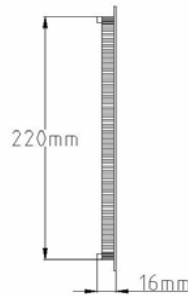
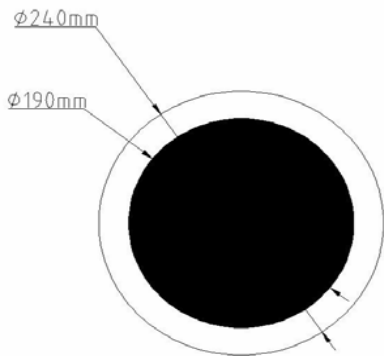
PERFORMANCE INFORMATION

Item Number	Wattage Voltage Size	Delivered Lumens	Dimmable	Color Temperature	Power Consumption (Watt)
724D2-12WW	12 Watt 100-277V 5" LED Panel	1200	Optional	4000K	12
693D2-18WW	12 Watt 100-277V 5" LED Panel	1800	Optional	4000K	12
725D2-25WW	18 Watt 100-277V 8" LED Panel	2500	Optional	4000K	18

Dimension and Illumination Diagram for 6" 12 Watt Round Panel



Dimension and Illumination Diagram for 8" 18 Watt Round Panel



Dimension and Illumination Diagram for 10" 25 Watt Round Panel

