

### PRODUCT DESCRIPTION

The LED Troffer luminaire modern design creates perfect balance of both horizontal and vertical illumination, which will make your space elegant. Create a productive, comfortable atmosphere through enhanced light quality and distribution ensure to provide you better, and healthier lighting than fluorescent light. It has a modern design and is easy to install. Ideal for both new construction and remodel/replacement of fluorescent troffers in commercial office spaces, schools, healthcare facilities, and retail merchandising areas. These troffers are DLC listed to qualify for commercial lighting rebates and special incentives in certain areas.

### FEATURES:

- Surge protector.
- Low profile design optimizes shipping, storage, and handling.
- Individual, pure aluminum heat sinks offers heat transmission faster than die cast steel.
- Performance engineered optical lens assembly delivers unique beam angles and reduces glare.
- High quality LED Chips provide high efficiency, heat dissipation, stability, and lumen maintenance.
- Polycarbonate lens (option).
- Driver disconnect provided where required to comply with US and Canadian codes.
- 120-277V 0-10V driver for continuous dimming.
- Ambient Temperature: -30 ~ 40 °C (-22° F to +104° F)
- Damp Location Rated
- CCT tunable (35K 40K 50K in one)
- Wattage tunable (as below)

### APPLICATIONS:

Retail/Schools/Offices  
Healthcare/Conference rooms  
Hospitality/Corridors  
Reception areas/Foyer  
Library



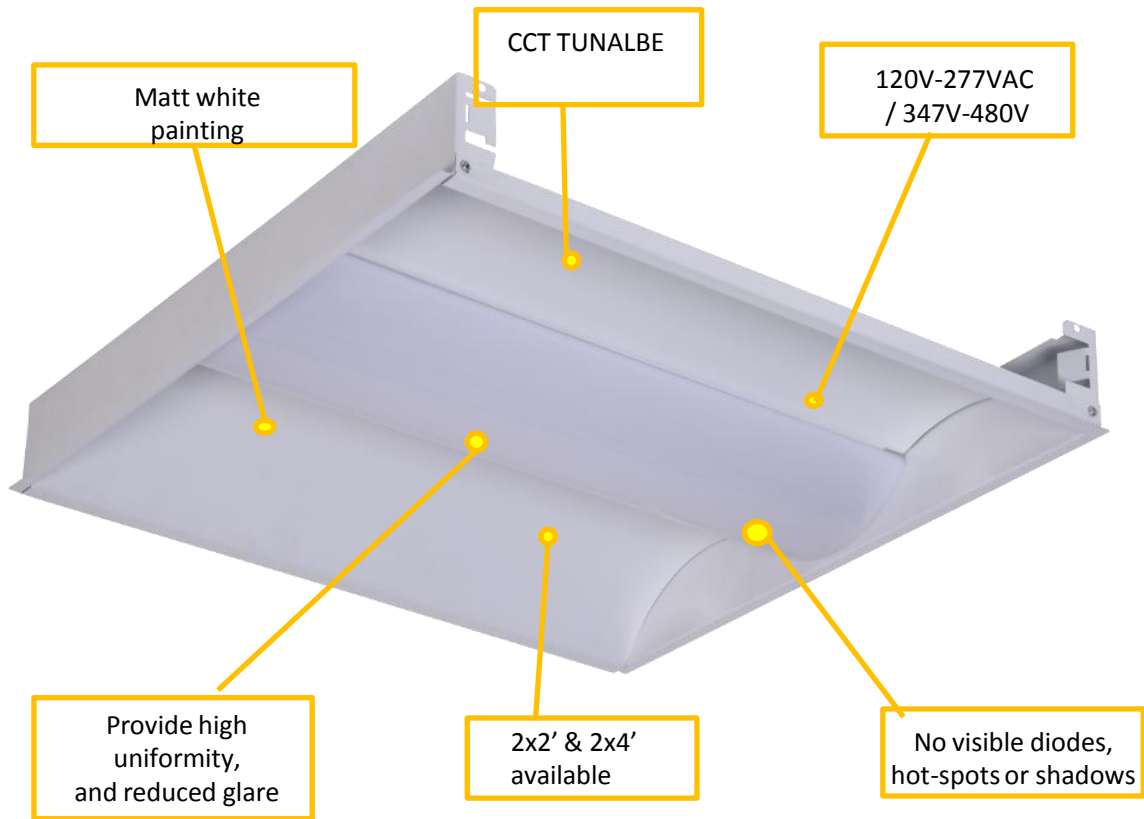
OPTIONS:	Order Code
AC347-480V High Voltage	347V/480V
Occupancy Sensor	OS
Daylight Harvesting	DH
Emergency Backup	EM



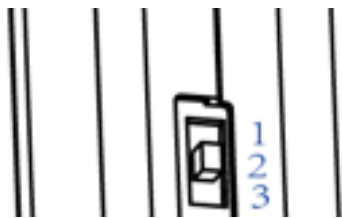
### ORDERING: (KK=CCT Tunable , 35K 40K 50K)

Item	Watts	Efficacy	Lumens	CRI	PF	Voltage	Dimension(L*W*H):Inch		
2X2 785X2-25W	25W	110lm/w	2,750lm	>80	>0.95	120-277V	23 6/8	23 6/8	3 1/8
2X4 793X2-40W	40W	110lm/w	4,400lm	>80	>0.95	120-277V	47 4/8	23 6/8	3 1/8

### Illustration



### CCT Tunable

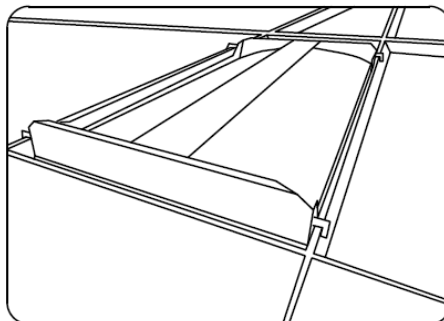
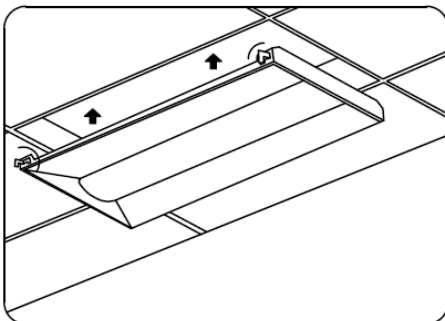


1	3500K
2	4000K
3	5000K

- 1、 TOP position = 3500K
- 2、 MIDDLE position = 4000K
- 3、 BOTTOM position = 5000K

Easily change the colour temperature with the flip of a switch.

### Installation



### Electrical Connection

