

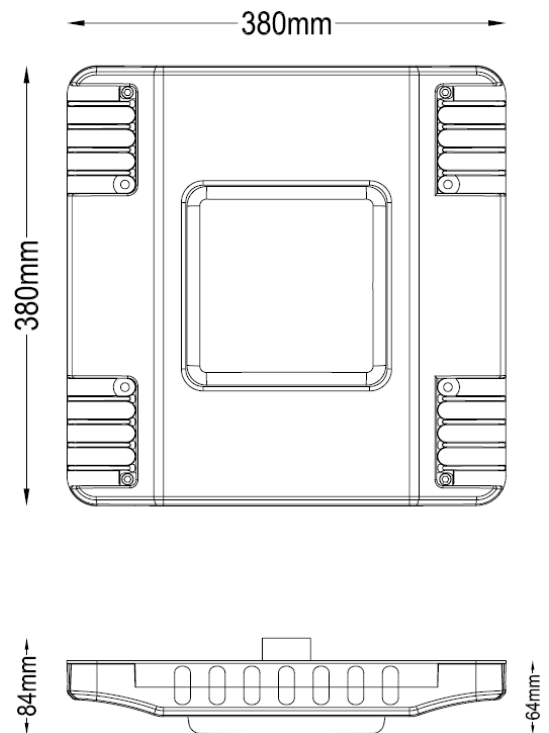


NAME: LED Canopy Light

P/N: BRT-CP3-100WSSPBB1

Advantage:

- UL cUL DLC certificate
- High CRI
- IP65 driver, Input voltage 100-277Vac
- No UV or IR in the beam
- Easy to install and operate
- Energy saving, Long lifespan
- Light is soft and uniform, Safe to eyes
- Instant start, NO flickering, NO humming
- Green and eco-friendly without mercury.



Application:

- ◆ Widely used in gas station, service station, underground parking lot, warehouse, garage;
- ◆ Work floor, factory and so on.

Product Specifications

Product name	LED Canopy Light
Part No	BRT-CP3-100WSSPBB1
Dimension	380 x 380 x 84mm

Technical Characteristic

Color temperature	4000K	5000K	5700K
CRI	>80		
Lumen	12400 - 12800 LM		
Input Power	100W		
Viewing Angle	110°		
Input Voltage	100-277Vac 50/60Hz		
Driver model	China Brand Driver		
PFC	>0.9		
Waterproof Rating	WET (IP65)		

Materials

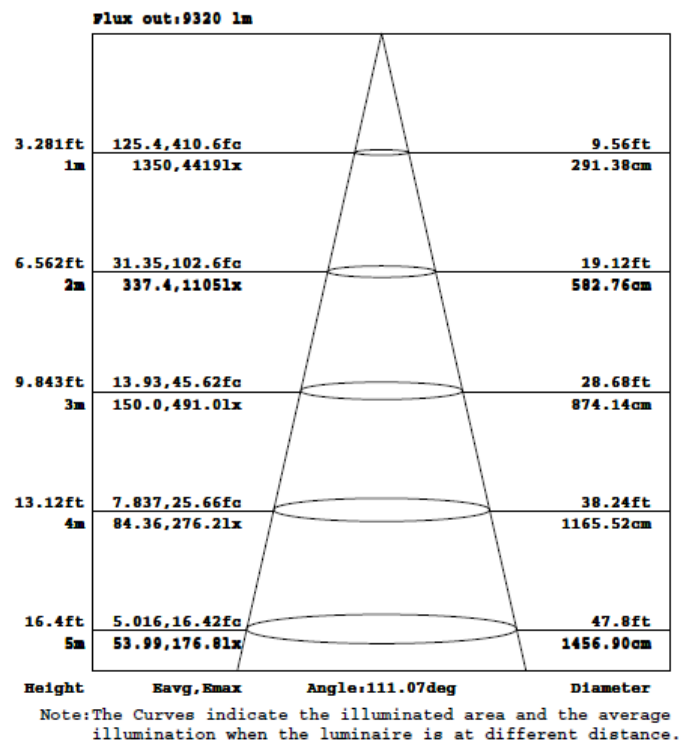
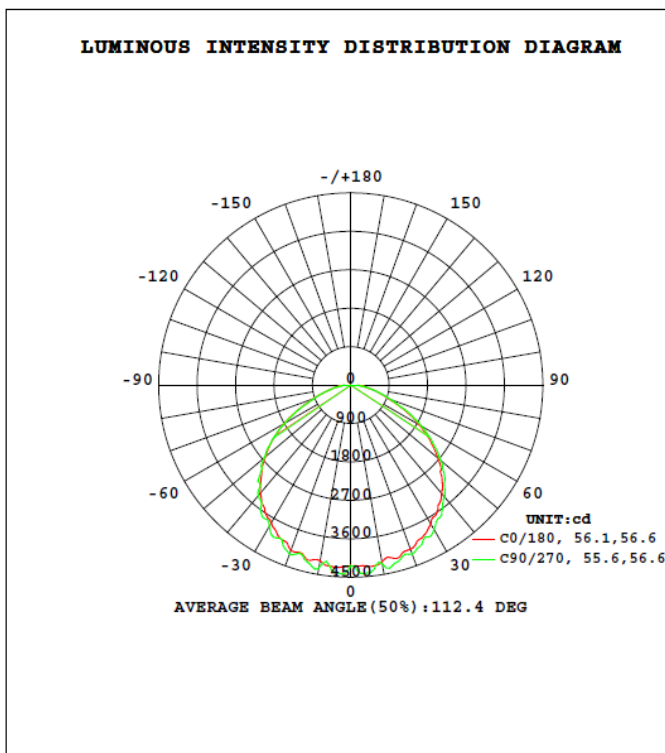
LED Type	Lumileds 2835
LED QTY	300 PCS
Housing	Aluminum
Housing color	White
Cover	Stripe lens

Others

Operating Temperature	-20°C TO 45°C
Operating Humidity	20%-90% RH
Storage Temperature	-30°C TO 80°C
Storage Humidity	10%-95%
Application	Outdoor / Indoor
Safety Certification	UL、cUL、DLC
Warranty Time	5 Years

Light Distribution Testing Parameters

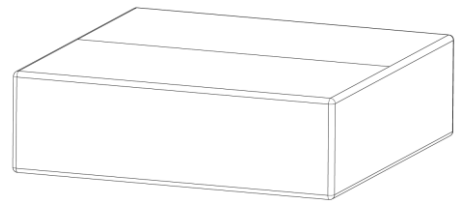
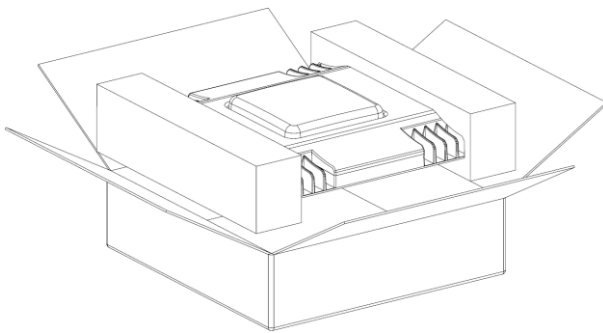
DATA OF LAMP		PHOTOMETRIC DATA Eff: 124.77 lm/W			
MODEL		I _{max} (cd)	4434	S/MH (C0/180)	1.32
NOMINAL POWER (W)	100	LOR (%)	100.0	S/MH (C90/270)	1.35
RATED VOLTAGE (V)	120	TOTAL FLUX (lm)	12487	η UP, DN (C0-180)	0.2, 50.4
NOMINAL FLUX (lm)	12486.7	CIE CLASS	DIRECT	η UP, DN (C180-360)	0.2, 49.2
LAMPS INSIDE	1	η up (%)	0.4	CIBSE SHR NOM	1.50
TEST VOLTAGE (V)	120.0	η down (%)	99.6	CIBSE SHR MAX	1.50



Package

Lamps Net Weight: 6.0 Kg/pc

	Size	Qty/ Carton	Weight/ Carton
Outer box	425 x 420 x 120mm	1	7 KG



Notice For User

- ◆ Please turn off power before install or change assembly parts.
- ◆ The input voltage and lamps should be matched, after connecting the power line, Please make sure the wiring section is insulated.
- ◆ No-professionals, must not install and disassemble the lamps.

Trouble Shootings

Troubles	Check points
Flickering of the light	Turn off the power and turn on again in 3 minutes. If same phenomena occur, then call agencies
Out of working	Please check the connection