



LISTED
E487089

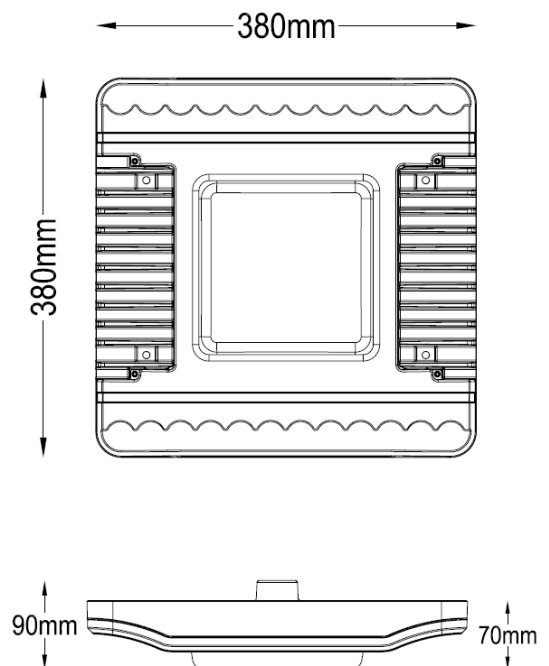


NAME: LED Canopy

Light P/N: 241C2-150W

Advantage:

- UL certificate
- Philips Lumileds Chip, High CRI
- Mean Well IP65 driver, Input voltage 100-277Vac
- No UV or IR in the beam
- Easy to install and operate
- Energy saving, Long lifespan
- Light is soft and uniform, Safe to eyes
- Instant start, NO flickering, NO humming
- Green and eco-friendly without mercury.



Application:

- ◆ Widely used in gas station, service station, underground parking lot, warehouse, garage;
- ◆ Work floor, factory and so on.

Product Specifications

Product name	LED Canopy Light
Part No	241C2-150W
Dimension	380 x 380 x 90mm

Technical Characteristic

Color temperature	2700 - 6500K
CRI	>80
Lumen	14500 - 16700LM
Input Power	150W
Viewing Angle	100°
Input Voltage	100-277Vac 50/60Hz
Driver model	CLG-150-48A (Mean Well Driver)
PFC	>0.9
Waterproof Rating	WET (IP65)

Materials

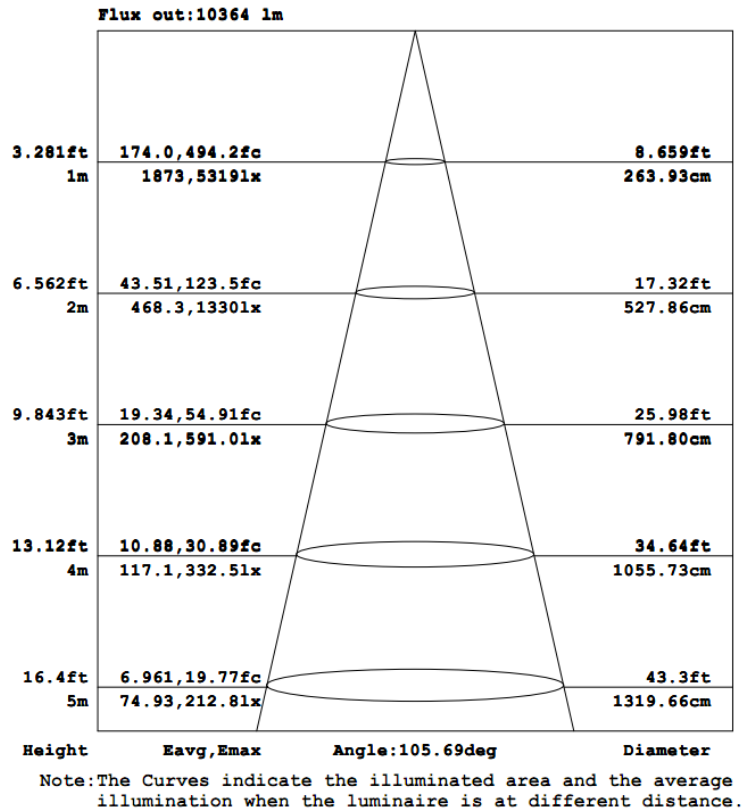
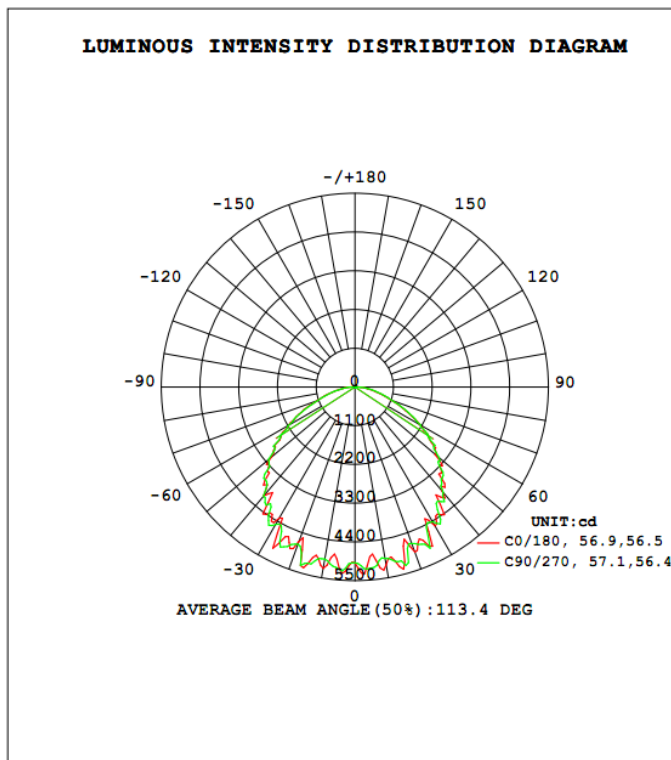
LED Brand	PHILIPS LUMILEDS
LED Type	LUXEON 3030 2D (1.5W)
LED QTY	168 PCS
Housing	Aluminum
Housing color	White
Cover	Drop lens (Stripe lens)

Others

Operating Temperature	-20°C TO 45°C
Operating Humidity	20%-90% RH
Storage Temperature	-30°C TO 80°C
Storage Humidity	10%-95%
Application	Outdoor / Indoor
Safety Certification	UL
Warranty Time	5 Years

Light Distribution Testing Parameters

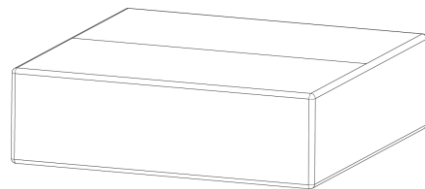
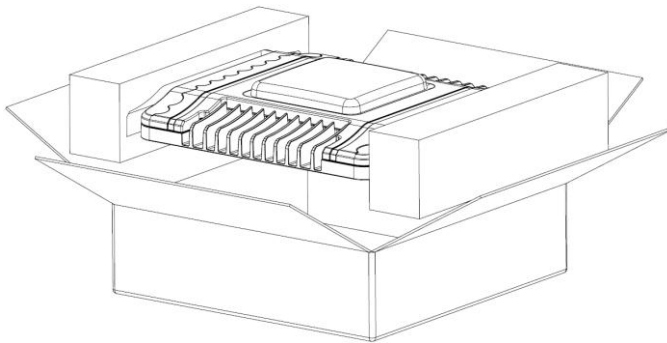
DATA OF LAMP		PHOTOMETRIC DATA Eff: 100.85 lm/W			
MODEL	150W	I _{max} (cd)	5421	S/MH (C0/180)	1.32
NOMINAL POWER (W)	150	LOR (%)	100.0	S/MH (C90/270)	1.35
RATED VOLTAGE (V)	277	TOTAL FLUX (lm)	14705	η UP, DN (C0-180)	0.1, 49.6
NOMINAL FLUX (lm)	14705.4	CIE CLASS	DIRECT	η UP, DN (C180-360)	0.1, 50.2
LAMPS INSIDE	1	η up (%)	0.1	CIBSE SHR NOM	1.25
TEST VOLTAGE (V)	277.0	η down (%)	99.9	CIBSE SHR MAX	1.35



Package

Lamps Net Weight: 6.4 Kg/pc

	Size	Qty/ Carton	Weight/ Carton
Outer box	425 x 420 x 120mm	1	7.4 KG



Notice For User

- ◆ Please turn off power before install or change assembly parts.
- ◆ The input voltage and lamps should be matched, after connecting the power line, Please make sure the wiring section is insulated.
- ◆ No-professionals, must not install and disassemble the lamps.

Trouble Shootings

Troubles	Check points
Flickering of the light	Turn off the power and turn on again in 3 minutes. If same phenomena occur, then call agencies
Out of working	Please check the connection