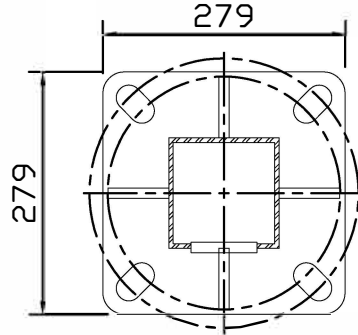
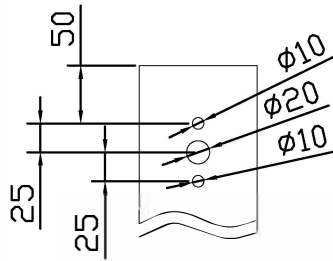


pole cap



A-A VIEW
(3:1)

5''(127mm)

POLE:
Shall be Straight Steel Grade B Extrusion with yield of 46,000 PSI. Conforms to ASTM A500 Standards. Poles have ground bolt welded on hand-hole inside pole. Pole Extrusion is conjoined to Anchor Base by welding internal to pole shaft and external to pole shaft. Hand Hole reinforcement is Constructed of 3"x 5" rectangular steel tubing which is welded to pole shaft for added strength.

BASE PLATE:
Manufactured from A36 Steel rated at 36,000 PSI, conforms the ASTM -A36 standards. Reinforced plates are welded;

SURFACE FINISH:
Hot-dip galvanized to ASTM A-123 Or Polyester powder coating, which bake at 200° Or Both;

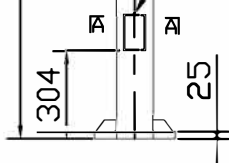
OTHER ACCESSORIES:
Removable Black pole cap; Base cover in two pieces; Holes Bushing; Hot dip galvanized Anchor bolts with nuts/washers;

SPECIFICATION SHEET

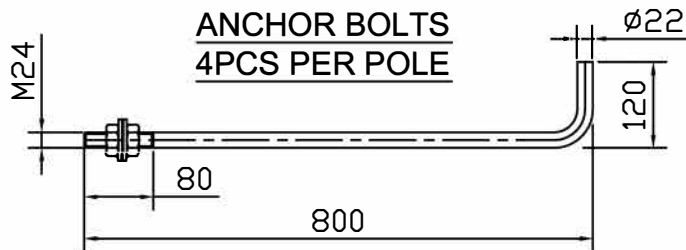
ITEM #	Shaft Height (ft)	Wall Thickness (in)	Bolt Circle Dia. (in)	Max Loading Capacities (1.3 Gust Factor)					
				80 (mph)		90 (mph)		100 (mph)	
				EPA (ft²)	Wt. (lbs)	EPA (ft²)	Wt. (lbs)	EPA (ft²)	Wt. (lbs)
30FT-5X5-4MM	30FT	0.16	10.5-12.2	10.6	280	6.9	207	4.1	123
30FT-5X5-4.5MM	30FT	0.18	10.5-12.2	12.4	300	7.6	226	4.6	139

NOTES: *EPA/Wt. data here is the maximum value; The EPA/Wt. of fixture(s) must be equal to or smaller than that;

H



Reinforced Door 3x5
W/ Ground lug/Bolt
& Rubber Ring



ANCHOR BOLTS
4PCS PER POLE

NOTES: ALL DIMENSIONS ARE IN MILLIMETER OTHERWISE NOTED.



PRODUCT		30FT-5X5 Square Lighting Pole							
PROJECT				Quantity		Drawing NO.			
Designed	S.M.	Date		G.W.(kg)					
Checked	B.S.D.	Date		Material:					
Approved	G.W.	Date	Nov. 12,15						