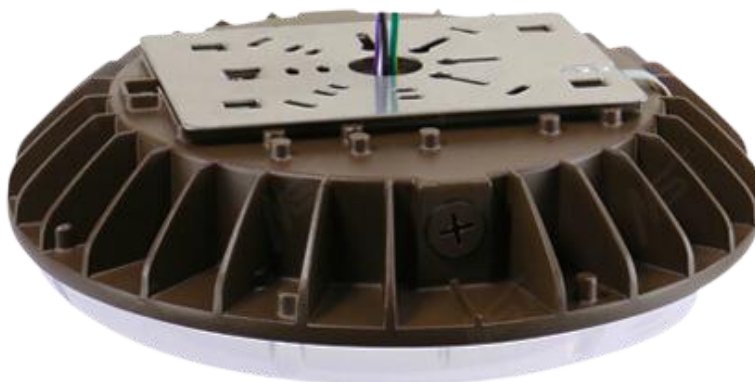




Industrial & Outdoor Commercial LED Lighting Company

4403 Greenbriar Dr, Stafford, Texas 77477
Tel No. 1-800-8385070
Monday - Friday 8:30 AM to 5:30 PM

247 SERIES CLASSIC ROUND LED CANOPY LIGHT



Product Feature:

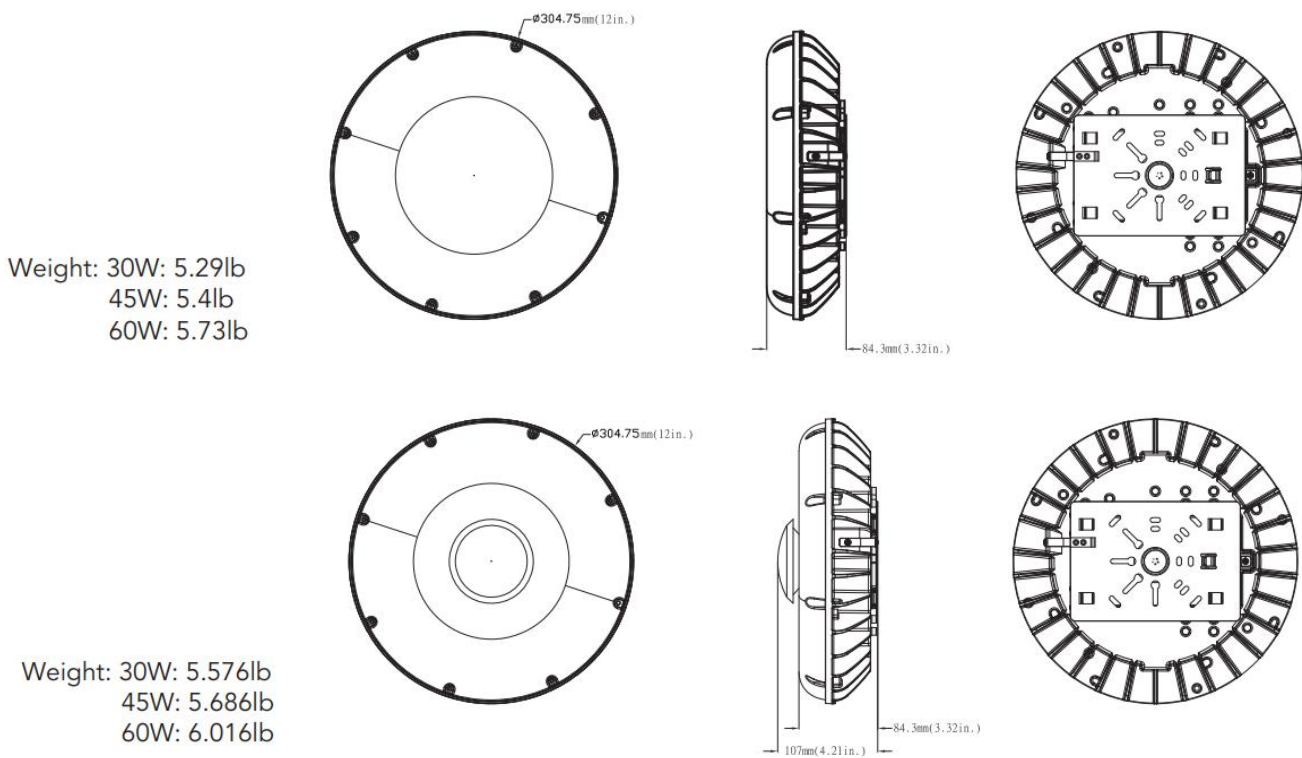
- Sealed die-casting profile for indoor and outdoor applications.
- Voltage is 120-277V & 347V.
- Lumen output from 3500-7600lm with efficacy up to 127lm/W.
- Optional Parking Garage Photometry or Low Bay Photometry as per applications.
- Increase energy savings with a bi-level Motion sensor.
- Replacing 100W MH and 175W MH.
- Operating temperature is -40°C to 40°C(-40°F to 104°F).
- UL/cUL wet location and DLC pending.

Typical Applications:

- Parking structures
- Storage areas
- Shopping area walkways
- Entryway
- Low level security



Dimension & Weight



Performance Data

SYSTEM WATTS	PHOTOMETRY	VOLTAGE	4000K(70CRI)		5000K(70CRI)	
			LUMENS	LPW	LUMENS	LPW
30W	Parking Garage	120-277VAC	3500lm	117 lm/W	3600lm	120 lm/W
	Low Bay	120-277VAC	3800lm	127 lm/W	3800lm	127 lm/W
45W	Parking Garage	120-277VAC	4900lm	109 lm/W	5000lm	111 lm/W
	Low Bay	120-277VAC	5500lm	122 lm/W	5500lm	122 lm/W
60W	Parking Garage	120-277VAC	7000lm	117 lm/W	7100lm	118 lm/W
	Low Bay	120-277VAC	7600lm	127 lm/W	7600lm	127 lm/W
60W	Parking Garage	347VAC	7000lm	117 lm/W	7100lm	118 lm/W
	Low Bay	347VAC	7600lm	127 lm/W	7600lm	127 lm/W

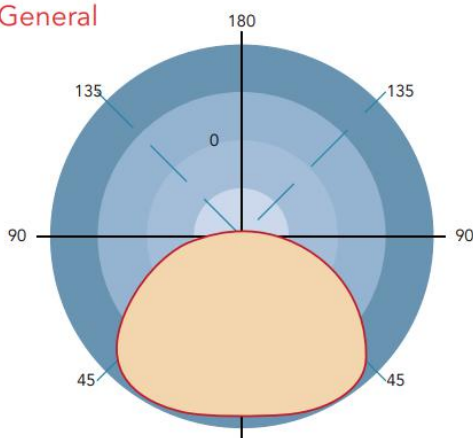
Electrical Data

Number Of Drivers	Driver Current (mA)	Nominal Power (W)	INPUT VOLTAGE (V)	CURRENT (Amps)
1	760	30	120	0.25
		30	208	0.14
		30	240	0.13
		30	277	0.11
1	1110	45	120	0.38
		45	208	0.22
		45	240	0.19
		45	277	0.16
		50	347	0.14
1	1500	60	120	0.50
		60	208	0.29
		60	240	0.25
		60	277	0.22
		60	347	0.17

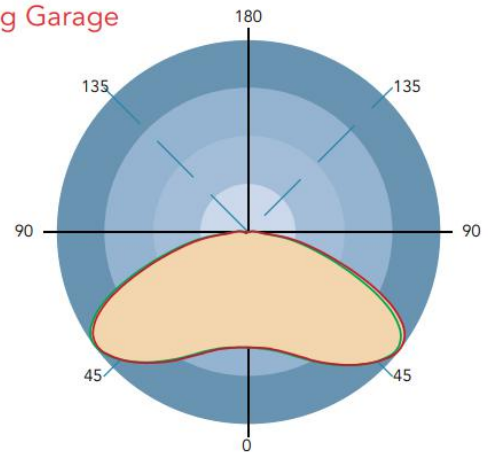
Optical Distribution

Each optic is designed for a specific purpose. The general distribution allows a wash of light in any application. In addition, we design an optics specially for parking garage.

General



Parking Garage



Application



Ordering Guide

Example: 247C2-30W

PRODUCT TYPE	PRODUCT NAME	CCT FIXED	INPUT VOLTAGE	WATTAGE FIXED
CANOPY LIGHTS ROUND	247	C= 5000K	2 = 120-277V	30W 45W 60W