



Industrial & Commercial LED Lighting Company

4403 Greenbriar Dr, Stafford, Texas 77477
Tel No. 1-800-8385070
Monday - Friday 8:30 AM to 5:30 PM

250 SERIES CCT SELECTABLE WATTAGE SQUARE LED CANOPY LIGHT



Introduction:

- The CCT Selectable Wattage Square LED Canopy Light is the latest general on Canopy Light of DVDLights it is highly cost-effective, and offers complete configurations.
- The CPA Series delivers 4,050lm to 8,505lm lumens, which can replace 100W-250W HID luminaires.
- Photocell or microwave sensor are available.
- Surface or Pendant mounting for operation.

Product Features:

- Die-casting aluminum housing with four 1/2" NPT side conduit entries.
- Quick mount plate for surface or junction box mounting.
- Pendant mount via 3/4" NPT pipe (not supplied) Heat-resistant polycarbonate lens.

Electrical:

- Selectable SKUs offer 3 wattage selections (30/45/63W) and 2 CCTs.
- -40°C minimum operating temperature.
- 45°C maximum operating temperature.
- >0.9 power factor.
- 0-10V dimming driver is standard.

Typical Applications:

- Parking structures
- Storage areas
- Shopping area walkways
- Entryway

Compliances:

- cULus listed for wet locations, max ambient temperature rang 45°C.
- DLC® (DesignLights Consorun) Qualified. Please refer to the DLC website for specific product qualificaons at www.designlights.org.

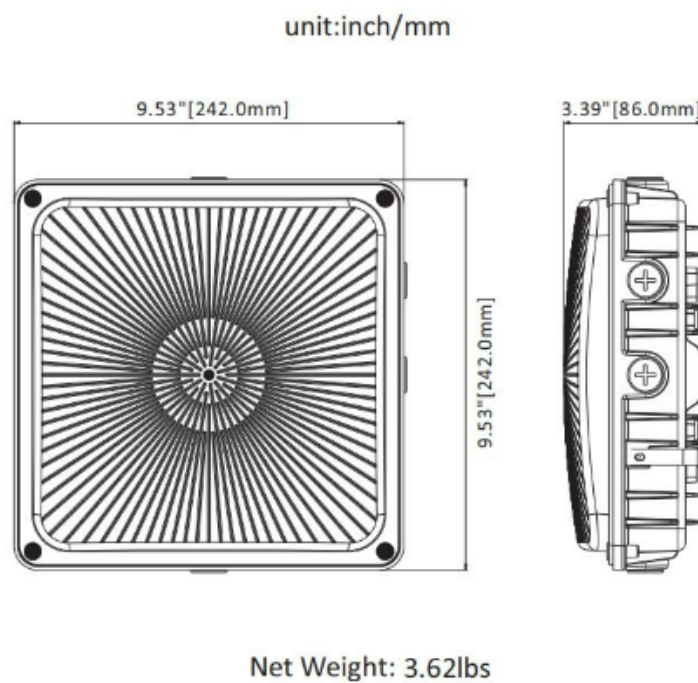
Finish:

- Standard color is bronze.

Product Selectable:

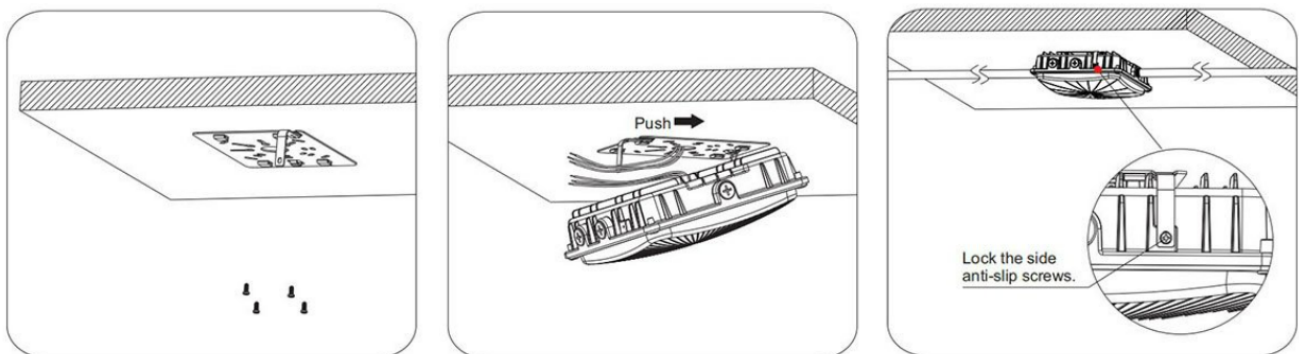
30W	45W	63W	4000K	5000K
WATTAGE SELECTABLE			CCT SELECTABLE	

Dimension



Installation

Surface Installation:

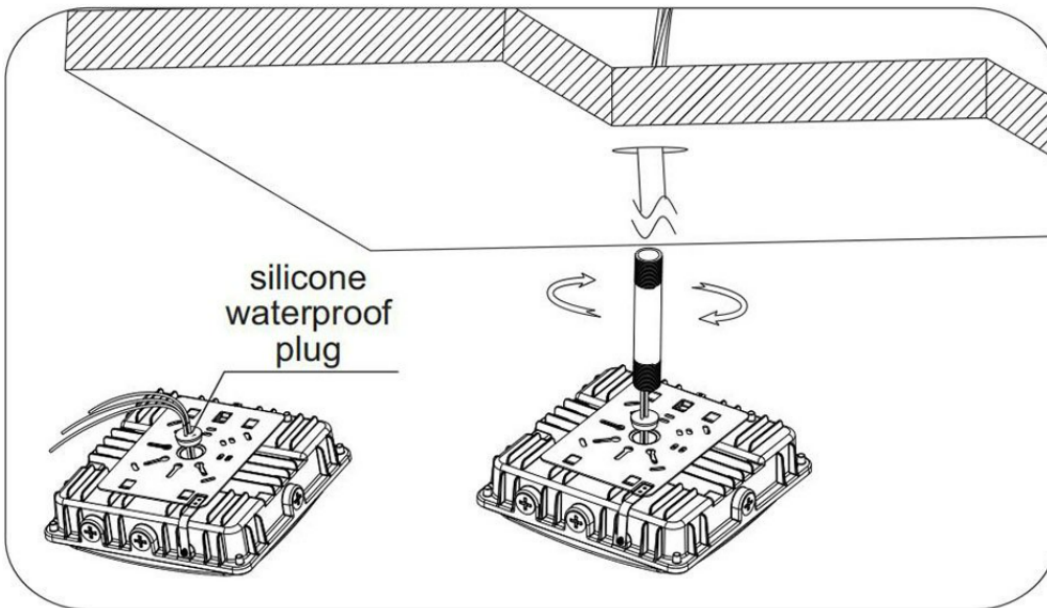


1. Remove the junction box mounting plate from the top of the fixture by loosening one side screw and sliding the fixture plate out from the holding brackets on the top of the casting.
2. Install the mounting plate to the junction box with two or four screws (not provided). The bracket should be positioned to allow the fixture to be “square” with the sides of the canopy the fixture is mounted to.
3. Hang the fixture from the support spring while wiring the unit. Bring the fixture input wires from the top of the fixture and connect them to the power leads in the junction box – black to black (hot), white to white (neutral), and green to green (ground).
4. Connect the main housing to the junction box bracket. Hold in place while reinstalling one side locking screw.
5. Turn on the power. The fixture will come to full output in several seconds.

NOTE:

- Do not remove the bottom lens or touch the LED optics. All LEDs are preinstalled and ready to operate.
- To weatherproof your outdoor installation, all gaskets must be seated properly and all screws inserted and tightened firmly. Apply weatherproof silicone sealant around all edges between the fixture housing and mounting surface.

Junction Box Installation:



1. Feed input leads through a 6" x 3/4" threaded conduit pipe (not supplied), apply RTV silicone between threads, and screw conduit pipe into fixture threading.
2. Apply RTV silicone at the joint between the fixture and the pipe.
3. Attach the fixture with conduit pipe to the junction box.
4. Bring the fixture input wires from the conduit pipe and connect them to the power leads in the junction box black to black (hot), white to white (neutral), and green to green (ground).
5. Reconnect power at the circuit breaker and test the fixture. The full output should occur within seconds.

NOTE:

- Do not remove the bottom lens or touch the LED optics. All LEDs are preinstalled and ready to operate.

Ordering Guide

Example: 250X2-63W-LD-SENSOR1

PRODUCT TYPE	PRODUCT NAME	CCT SELECTABLE	INPUT VOLTAGE	WATTAGE SELECTABLE	ADD ON
CANOPY LIGHTS SQUARE	250	X= 4000/5000K	2 = 120-277V	63W = (30/45/63)W	LD-SENSOR1 = OCCUPANCY SENSOR