



Industrial & Commercial LED Lighting Company

4403 Greenbriar Dr, Stafford, Texas 77477
Tel No. 1-800-8385070
Monday - Friday 8:30 AM to 5:30 PM

523 SERIES AREA LED LIGHT



Product Feature:

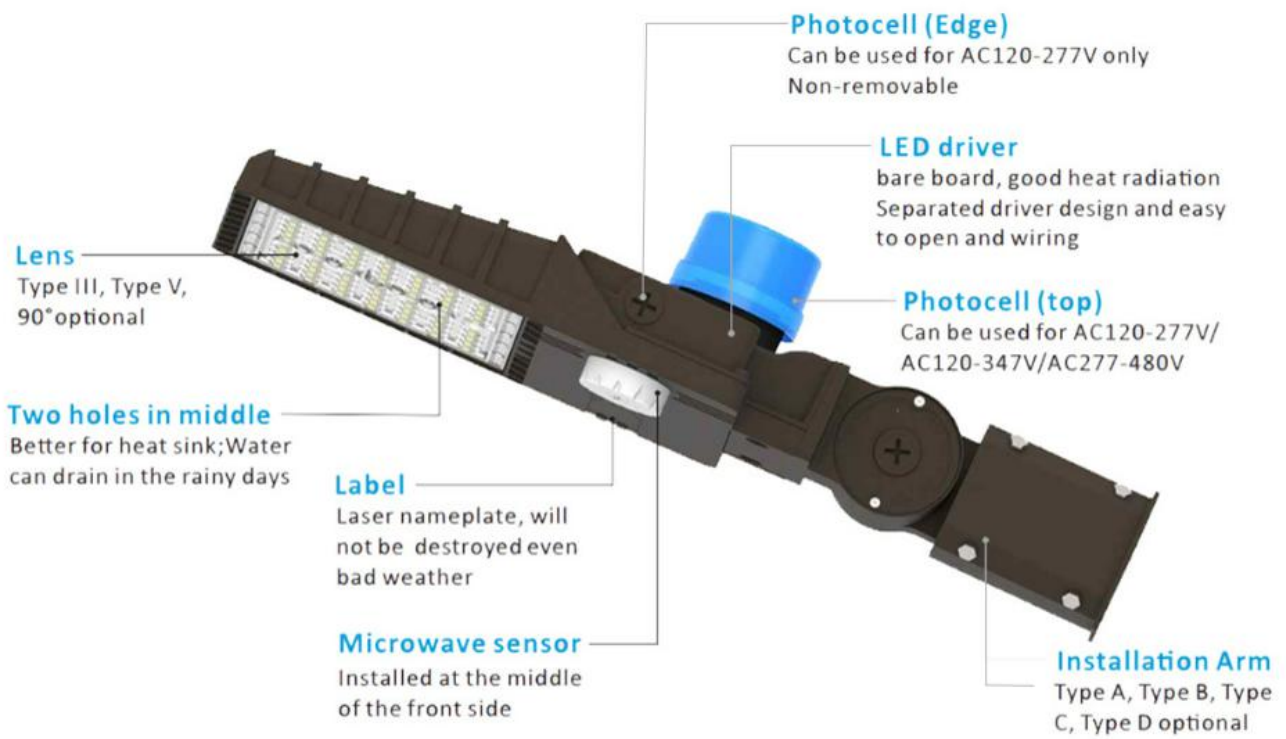
- Die-casting aluminum housing, treated by anodic oxidation and corrosion.
- Hollow heat sink design increase more airflow for better heat dissipation.
- Photocell, Microwave, PIR sensor available.
- Slip Fitter, Square pole, Round pole, Trunnion, Wall mount.
- IP66 rated, IK10, Surge protection 10KV/20KV optional
- 2019 Private mold, unique design
- AC120-277V/AC120-347V/AC277-480V optional
- Seoul SMD LED
- High efficacy, 145lm/w

Lifespan:

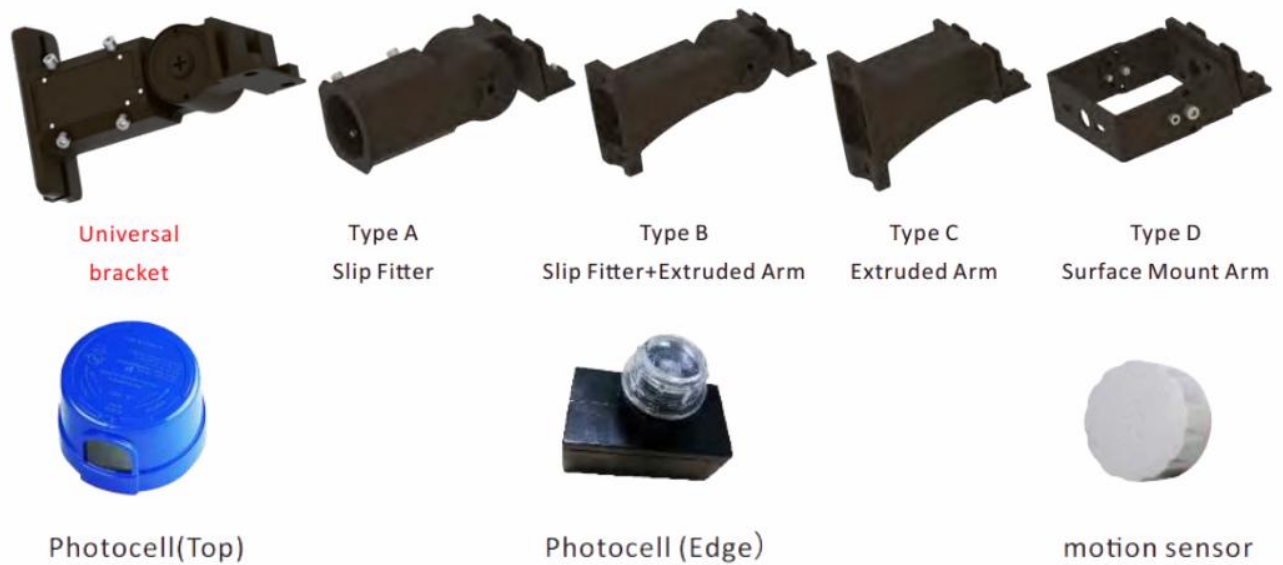
- 70,000 Hours

Suitable Application:

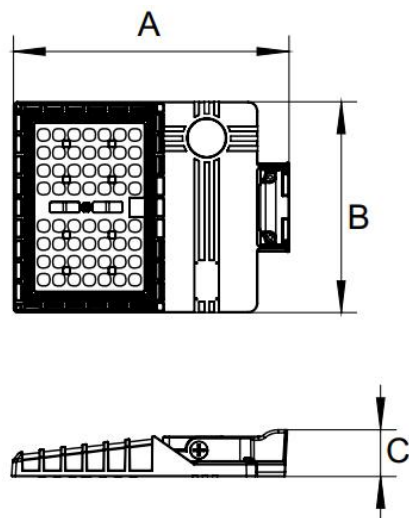
- Parking lot
- Stadiums
- General Road Lighting
- Residential Area
- Yard Park
- Petrol Station



Accessories



Dimensions



Power / Size	A	B	C
80W/ 100W/ 150W	13.92"	10.65"	2.36"
200W	16.54"	12.6"	2.46"
250W/ 320W	20.49"	12.6"	2.46"

DVDLIGHTS - INDUSTRIAL & COMMERCIAL LED LIGHTING COMPANY - 523 SERIES AREA LED LIGHT

Parameters

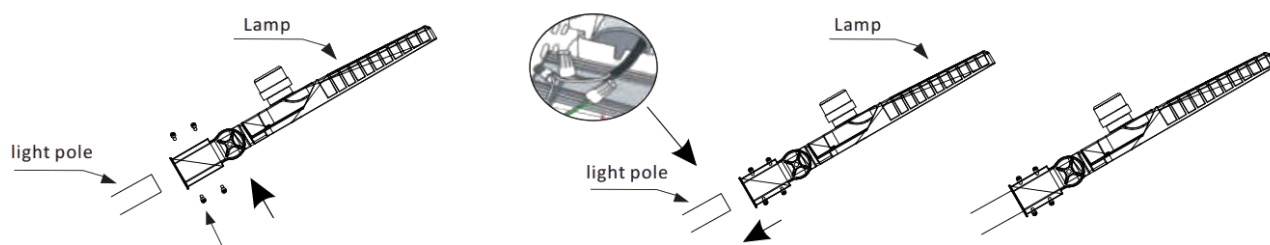
Model #	Size	Power	Efficacy	Lumen	Input voltage	Lens	CRI	CCT	
523C2-100W	13.92"*10.65"	100W	145LM/W	11600LM	AC120-277V	Type III Type V 90°	>70	3000K	
523C2-150W		150W		14500LM					
523C2-200W	200W	21750LM		AC120-347V					29000LM
523C2-250W	250W	36250LM			5000K				
523C2-320W	320W	46400LM		5700K					

*5000K IN STOCK - PLEASE CONTACT US FOR OTHER COLOR TEMPERATURE OPTIONS

Installation

NOTE: Always TURN OFF of the power supply from Main Circuit Breaker first.

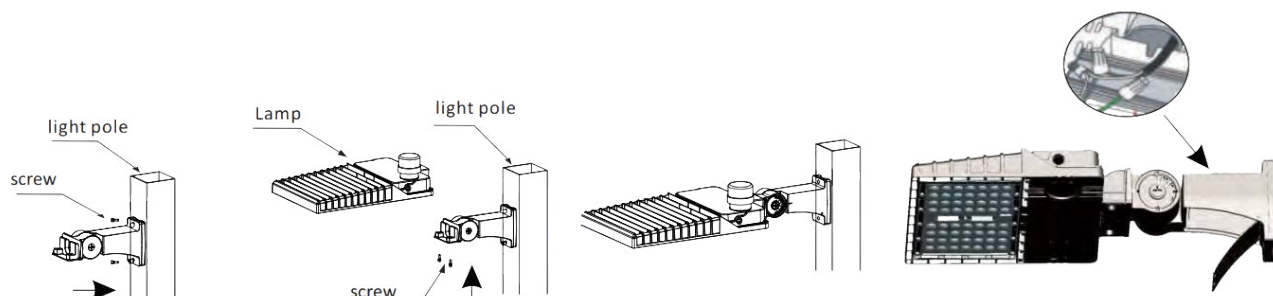
TYPE A (Slip Fitter)



1. Attach the lamp arm to the lamp first

2. Connect the input wire and install the lamp on the lamp post
 Note: after lengthening the input wire, meet the height requirement of the light pole and connect the wire at the bottom of the light pole.

TYPE B (Slip Fitter + Extruded Arm) & TYPE C (Extruded Arm)

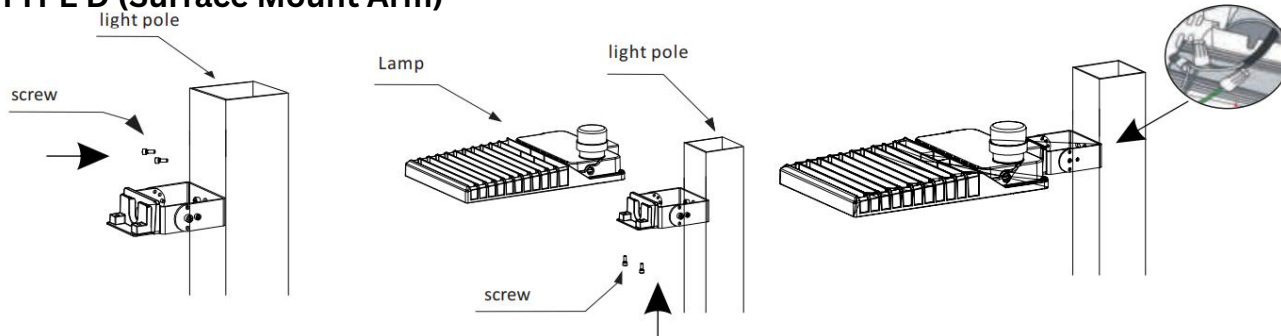


1. First install the lamp arm in the proper position of the lamp pole

2. Install the light fixture on the lamp arm

3. Lower cover of the lamp arm is opened and Complete wiring at handhole on pole. Use suitable Listed water proof cord bushing and outlet box cover.

TYPE D (Surface Mount Arm)



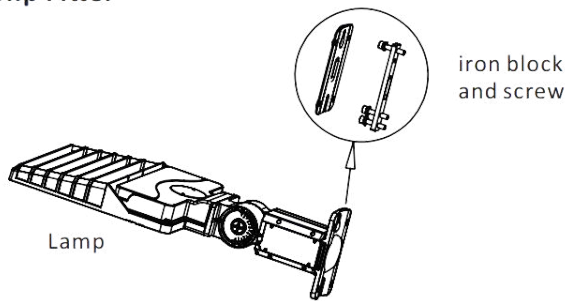
1. First install the lamp arm in the proper position of the lamp pole

2. Install the light fixture on the lamp arm

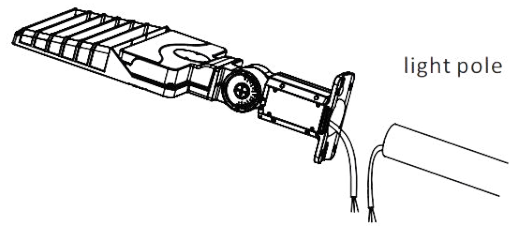
3. Lower cover of the lamp arm is opened and Complete wiring at handhole on pole. Use suitable Listed water proof cord bushing and outlet box cover.

Installation for Universal Bracket

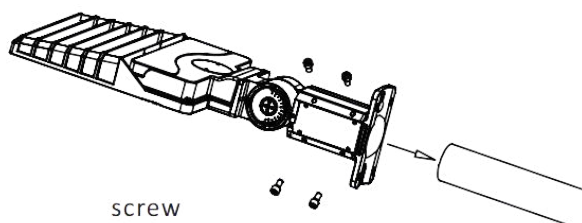
Slip Fitter



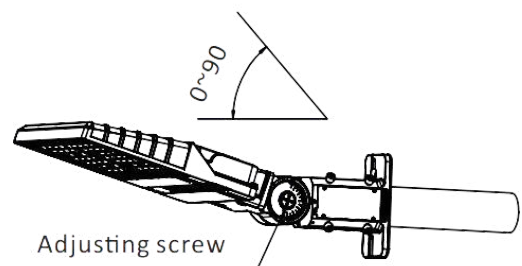
1. Remove the gasket, iron block and screw.



2. Connect the wires as required and take protective measures

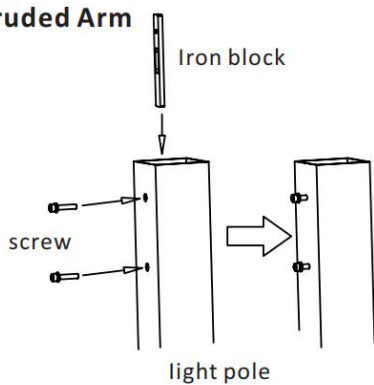


3. Install the lamp into the lamp pole and lock the screw

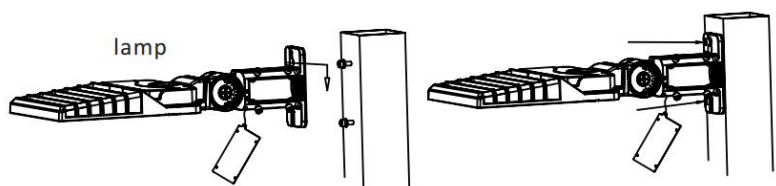


4. The irradiation angle can be adjusted by adjusting the screw.

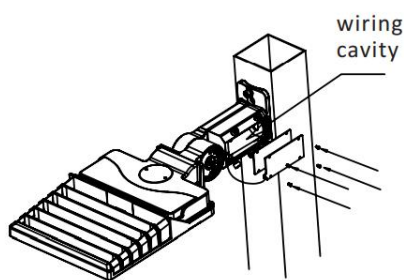
Extruded Arm



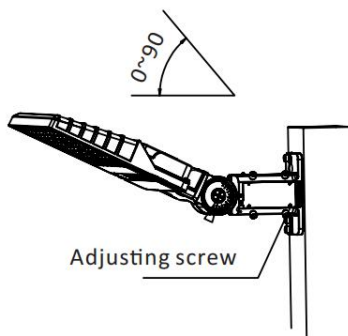
1. Put the iron block into the light pole and screw the lock half.



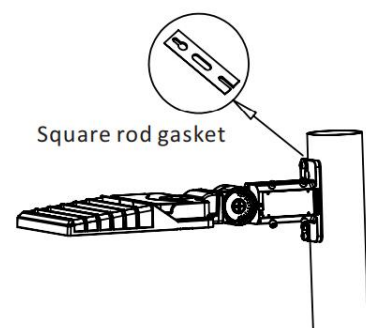
2. Insert the bracket of the lamp into the screw and lock it.



3. Connect the wires as required, take protective measures and lock the cover



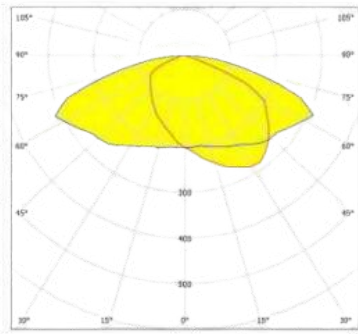
4. The irradiation angle can be adjusted by adjusting the screw



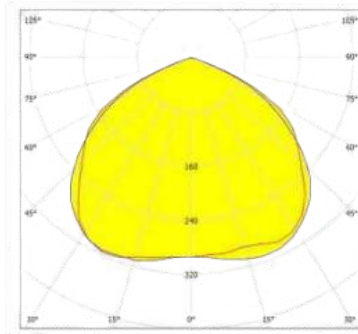
5. Remove the square bar gasket, which can be installed on the round light pole

Photometrics

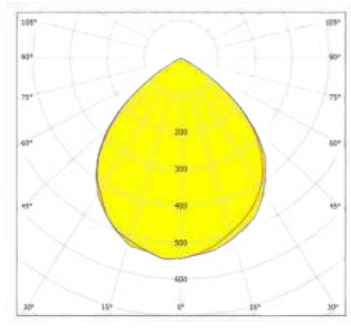
Type III



Type V



90



IP66 Rated, Suitable for Wet Locations

Shenzhen Southern LCS Compliance Testing Laboratory Ltd
 Address: B Area, 1-2F, Building B, Zhongyu Green High-tech Industrial Park, Wenge Road, Heshukou, Guangming Street, Guangming New District, Shenzhen, China
 Tel: +86 755 28871431 Fax: +86 755 28871432
 Report No: LCS190701003B5

TEST REPORT

Client: Shenzhen Xingbang Yang Electronics Technology Co., Ltd
 Address: 10-11F, No.3 Building, Hengshengyong High Tech Ind. Park, Wangnan East Rd, Hengsheng, Shuangzhen, Bao'an District, Shenzhen, China 518108

Manufacturer: Shenzhen Xingbang Yang Electronics Technology Co., Ltd
 Address: 10-11F, No.3 Building, Hengshengyong High Tech Ind. Park, Wangnan East Rd, Hengsheng, Shuangzhen, Bao'an District, Shenzhen, China 518108

Testing Laboratory: Shenzhen Southern LCS Compliance Testing Laboratory Ltd
 Address: B Area, 1-2F, Building B, Zhongyu Green High-tech Industrial Park, Wenge Road, Heshukou, Guangming Street, Guangming New District, Shenzhen, China

Product Description: LED Area Light
 Model: See model list on page 2
 Rating: AC 120-247V, 50/60Hz, Max.320W, IP66, ta45°C
 Method: IEC 60528-1989+A11-1989+A2-2013
 Test Item: IP66
 Date of Test: 2019-07-08 - 2019-07-10
 Date of Issue: 2019-07-10
 Test Result: Pass

Test by: Rebecca Qin (Engineer)
 Check by: Eku Yang (Director)
 Approved by: Jesse Liu (Manager)

Remarks: This declaration of test report or parts of it and the test for advertising purposes is only allowed with permission of the testing laboratory. This report contains the result of examination of the photometric data submitted by the applicant. A general statement concerning the quality of the products from the tested manufacturer cannot be derived therefrom.

Version: V1.0 Page 1 of 2



IK10 Rated

Page 2 of 8 REPORT NO: LCS190701003B5

Test item description:	LED Area Light
Trade Mark:	
Manufacturer:	Same as applicant
Address:	Same as applicant
Model/Type reference:	Details see model list on page 3
Rating:	AC120-247V, 50/60Hz, Max.320W, IP66, ta45°C
Test Date:	July 08, 2019 - July 10, 2019
Testing Laboratory:	Shenzhen Southern LCS Compliance Testing Laboratory Ltd
Testing location/ address:	B Area, 1-2F, Building B, Zhongyu Green High-tech Industrial Park, Wenge Road, Heshukou, Guangming Street, Guangming New District, Shenzhen, China
Tested by:	Rebecca Qin (Engineer)
Check by:	Eku Yang (Director)
Approved by:	Jesse Liu (Manager)

List of Attachments (including a total number of pages in each attachment):
 Attachment No. 1: 4 pages of photo documentation.

General remarks:
 This report shall not be reproduced except in full without the written approval of the testing laboratory. The test results presented in this report relate only to the item tested. In this test report, 'P' means 'Pass', 'F' means 'Fail', 'N/A' means 'Not Applicable'.

Tests performed (name of test and test clause):
 IEC 62282

Testing location:
 Shenzhen Southern LCS Compliance Testing Laboratory Ltd
 B Area, 1-2F, Building B, Zhongyu Green High-tech Industrial Park, Wenge Road, Heshukou, Guangming Street, Guangming New District, Shenzhen, China



Passing the testing at -40°C, can be used at cold area

Test Report	
Name of sample	LED Area Light
Model	K51-AL2009-200-1111-ZR, K51-AL2009-300-1111-ZR, K51-AL2009-400-1111-ZR, K51-AL2009-500-1111-ZR, K51-AL2009-600-1111-ZR, K51-AL2009-800-1111-ZR, K51-AL2009-1000-1111-ZR
Manufacturer	Shenzhen K51ShangYang Optoelectronics Technology Co., Ltd.
Manufacturer's address	10-111F, No.2 Building, Hengshengyong High-Tech Ind. Park, Shenzhen East Rd.
Manufacturer's phone	0755-83333333
Client	Shenzhen K51ShangYang Optoelectronics Technology Co., Ltd.
Client's address	10-111F, No.2 Building, Hengshengyong High-Tech Ind. Park, Shenzhen East Rd.
Client's phone	0755-83333333
Test Lab	Shenzhen LIS Compliance Testing Laboratory Ltd.
Address of test Lab	101-101, K51Shang Industrial Park, Guang'an District, Shenzhen, Guangdong, China
Date of delivery	2018-07-02
Date of test	2018-07-02 to 2018-07-03
Name of receipt	Customer
Test item	Low temperature start test
Test standard	According to customer's requirements
Test result	Measure data see report attached
Remark	The test results presented in this report relate only to the subject tested.
Tested by	Helen Wan, Test engineer, Signature: [Signature], 2018-07-11
Checked by	Albert Lai, Project engineer, Signature: [Signature], 2018-07-11
Approved by	Philip Chen, Project manager, Signature: [Signature], 2018-07-11



Application



Safety Precaution

- To reduce the risk of death, personal injury, or property damage from fire, electric shock, falling parts, cuts/abrasions, and other hazards, read all warnings and instructions included with and on the fixture box and all fixture labels.
- Before installing, servicing, or performing routine maintenance on this equipment, follow these general precautions.
- A qualified licensed electrician should perform commercial installation, service, and maintenance of luminaires.
- For The installation: If you are unsure about the installation or maintenance of the luminaires, consult a qualified licensed electrician and check your local electrical code.
- To prevent wiring damage or abrasion, do not expose wiring to edges of sheet metal or other sharp objects.
- Do not make or alter any open holes in an enclosure of wiring or electrical components during kit installation.

WARNING: RISK OF FIRE OR ELECTRICAL SHOCK

- Turn off electrical power at the fuse or circuit breaker box before wiring the fixture to the power supply.
- Turn off the power when you perform any maintenance.
- Verify that the supply voltage is correct by comparing it with the luminaire label information.
- Make all electrical and grounded connections by the National Electrical Code and any applicable local code requirements.
- All wiring connections should be capped with UL-approved wire connectors.

CAUTION: RISK OF INJURY

- Avoid direct eye exposure to the light source while it is on.
- Account for small parts and destroy packing material, as these may be hazardous to children.
- **SUITABLE FOR DRY OR DAMP LOCATION**