



Industrial & Commercial LED Lighting Company

4403 Greenbriar Dr, Stafford, Texas 77477
Tel No. 1-800-8385070
Monday - Friday 8:30 AM to 5:30 PM

CCT SELECTABLE VOLUMETRIC LED TROFFER



LM79

LM80



Introduction:

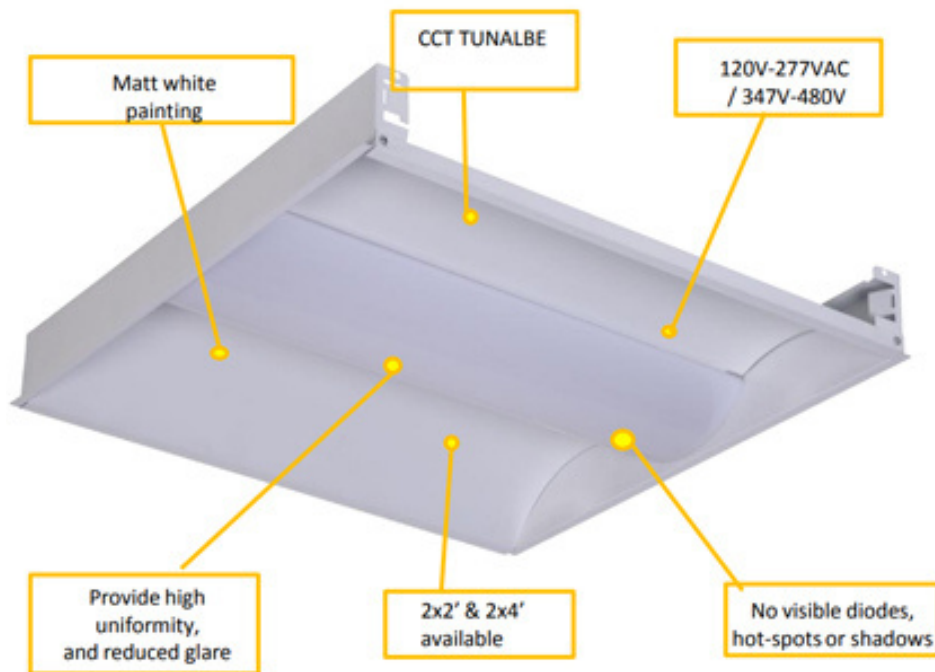
- The modern LED Troffer luminaire design creates the perfect balance of horizontal and vertical illumination, making your space elegant.
- Create a productive, comfortable atmosphere through enhanced light quality and distribution to provide you with better, healthier lighting than fluorescent light.
- It has a modern design and is easy to install.
- Ideal for both new construction and remodel/replacement of fluorescent troffers in commercial office spaces, schools, healthcare facilities, and retail merchandising areas.

Product Features:

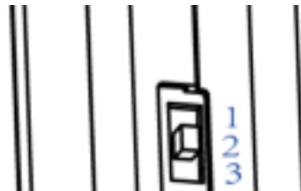
- Surge protector.
- Low profile design optimizes shipping, storage, and handling.
- Individual, pure aluminum heat sinks offer heat transmission faster than die-cast steel.
- Performance-engineered optical lens assembly delivers unique beam angles and reduces glare.
- High-quality LED Chips provide high efficiency, heat dissipation, stability, and lumen maintenance.
- Polycarbonate lens (option).
- Driver disconnect provided where required to comply with US and Canadian codes.
- 120-277V 0-10V driver for continuous dimming.
- Ambient Temperature: -30 ~ 40 °C(-22°F to +104°F)
- Damp Location Rated
- CCT tunable (35K, 40K, 50K in one)
- Wattage tunable (as below)

Suitable Application:

- Retail
- Schools
- Offices
- Healthcare
- Conference rooms Hospitality
- Corridors Reception areas
- Foyer Library



CCT Tunable



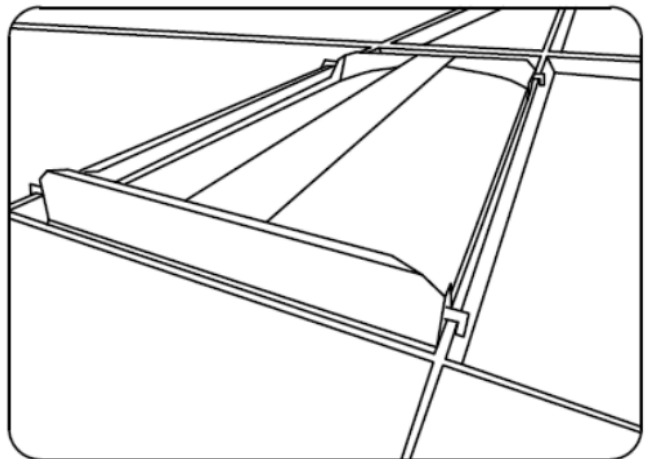
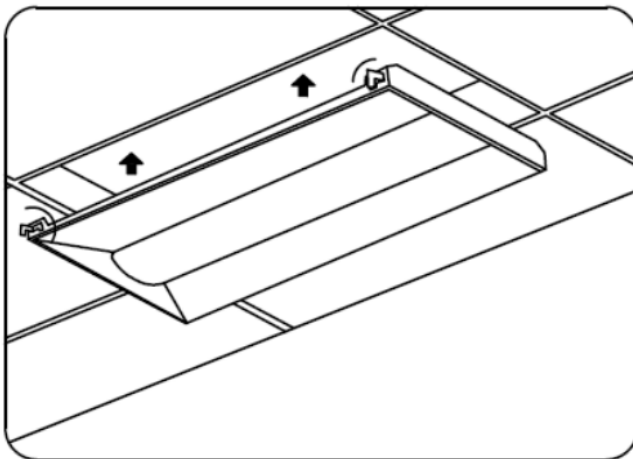
1	3500K
2	4000K
3	5000K

- 1、 TOP position = 3500K
- 2、 MIDDLE position = 4000K
- 3、 BOTTOM position = 5000K

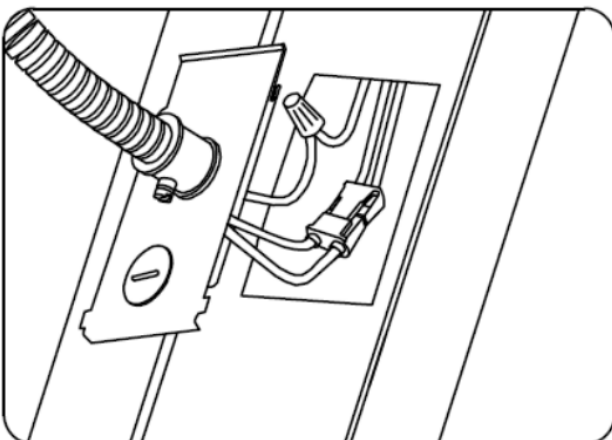
Easily change the colour temperature with the flip of a switch.



Installation



Electrical Connection:



Ordering Guide

Example: KK=VK, 3 CCT Tunable 35K, 40K, and 50K

Item	Watts	Efficacy	Lumens	CRI	Voltage	Dimension(L*W*H):Inch		
2X2 664X2-36W	36W	110lm/w	2750-3960lm	>80	120-277V	23 6/8	23 6/8	1 6/8
2X4 684X2-50W	50W	110lm/w	4400-5500lm	>80	120-277V	47 6/8	23 6/8	1 6/8