



Industrial & Outdoor Commercial LED Lighting Company

4403 Greenbriar Dr, Stafford, Texas 77477
Tel No. 1-800-8385070
Monday - Friday 8:30 AM to 5:30 PM

DIMMABLE SWIVEL LED DOWNLIGHT



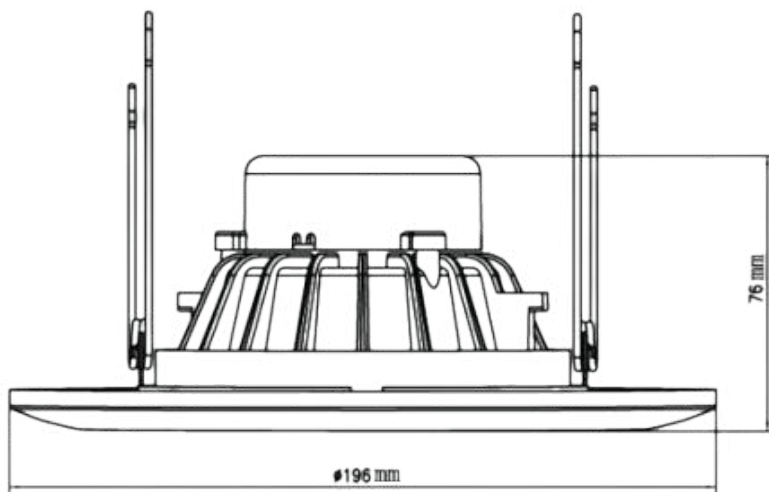
Product Features:

- Energy efficient: save up to 80% in energy costs
- Compatible with most Lutron and Leviton dimmers
- High-lumen output
- Mercury-free
- Instant-on light
- 50,000 hours
- CCT: 2700-5000K
- For dry, damp, wet location
- 5-year manufacturer warranty

Characteristics:

Voltage	120V AC
Power	15W
Dimmable	Yes
LED Type	SMD
CRI	>90
Lumens	1500 LUMENS
Color	4000K
Life time	50,000 hours
Certificate	ETL,Energy Star,FCC,Lighting Facts,LM79,LM80

Dimensions & Weight



Size: $\Phi 196 \times 76\text{mm}$ (7.72 x 2.99")

Installation

Install in 3 Easy Steps:



Step 1: Twist the adaptor into the socket.



Step 2: Insert the male connector into the female one.



Step 3: Insert LED Trim.

Packaging Details

Size	Carton Size	Pcs/CTN	N.W.	G.W.
5/6"	50x41x22cm/19.68x16.14x8.66"	12	7.5kgs/16.5lbs	8.5kgs/18.7 lbs

Applications

