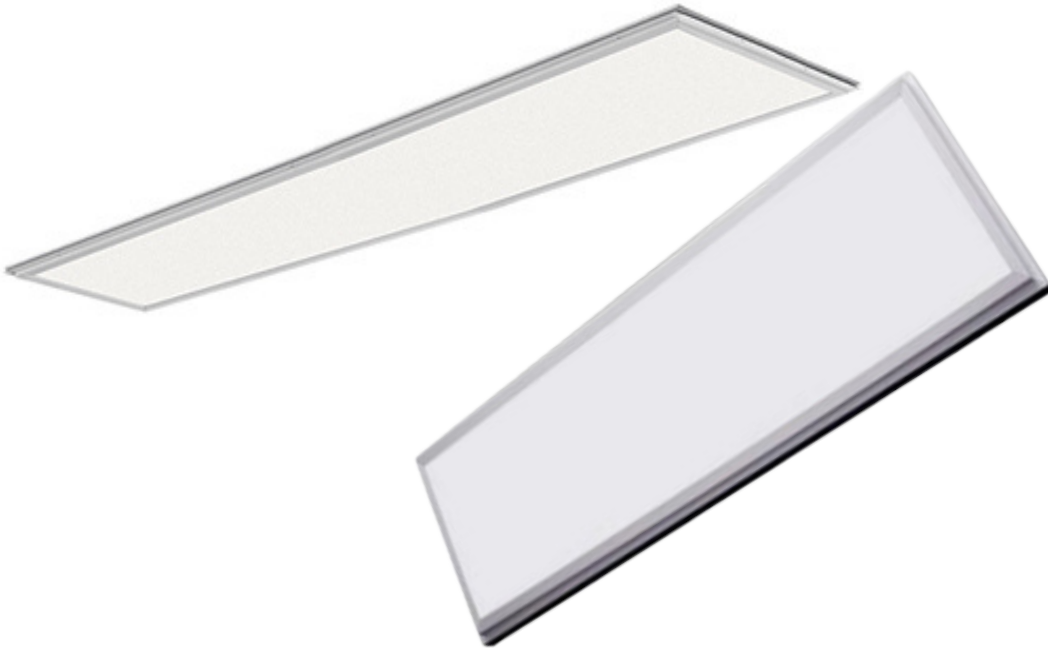




Industrial & Commercial LED Lighting Company

4403 Greenbriar Dr, Stafford, Texas 77477
Tel No. 1-800-8385070
Monday - Friday 8:30 AM to 5:30 PM

1/4 THIN LED PANEL LIGHT



LM79

LM80



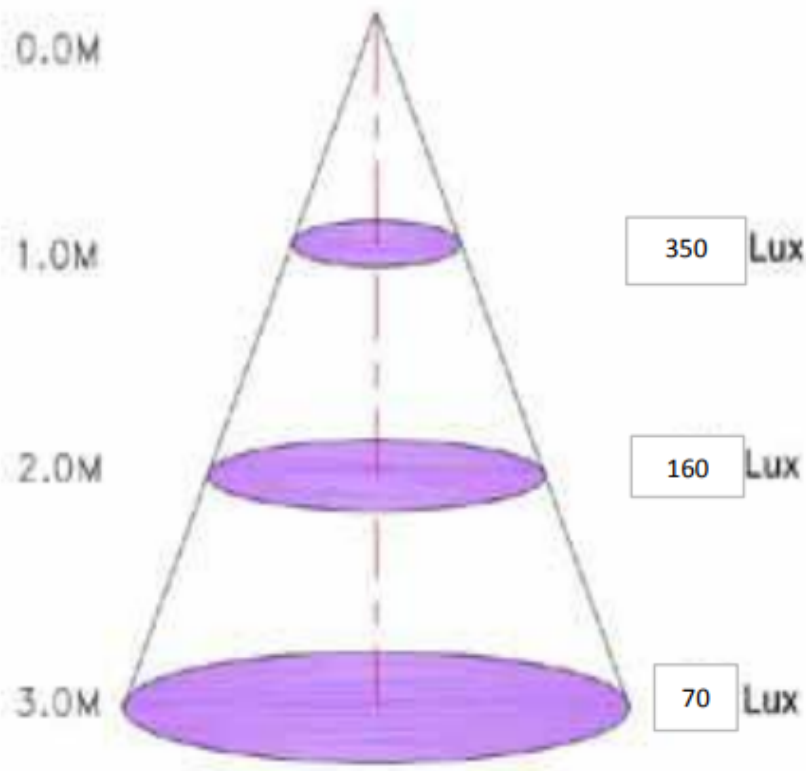
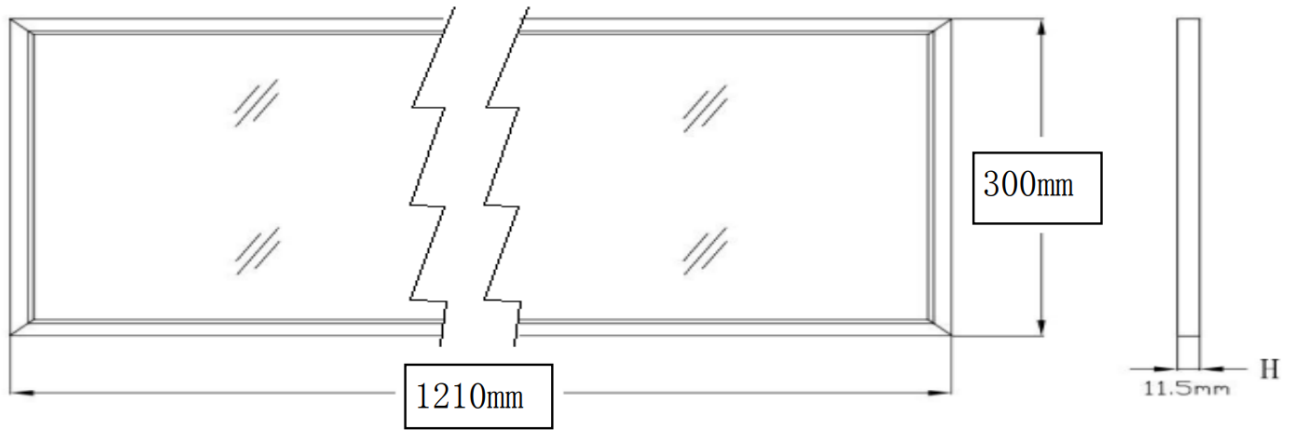
Product Features:

- 1'X 4' X 1/2" LED panel light
- 40W, dimmable (0-10V dimming switch) and non-dimmable versions available
- 80% in energy savings as compared to traditional light fixtures with fluorescent tubes
- Recyclable, no mercury, UV, or IR emissions
- Color temperature ranges: X=S, W,D,C (S=2700K, W=3000K, D=4500K, C=4700K)
- Lamp Luminous Flux
- Recessed ceiling mountable with aircraft-type mounting cables included
- DLC, UL Listed, LM79, LM80 SMD 5630 LED
- Mean Well Power Supply
- Environment Temperature: -20°C to +50°C
- Environment Humidity: ≤ 95%
- Lifespan: 5 years / 50,000 Hours

Suitable Applications:

- Used in offices
- Restaurants
- Hotels
- Hospitals
- Hallways
- Lobbies
- Meeting rooms, etc.

Dimension & Weight



Ordering Guide

Example: 684X2-50W | 664X2-36W | 664X2-36W-1X4

PRODUCT TYPE	SIZE	PRODUCT NAME	SELECTABLE CCT	INPUT VOLTAGE	WATTAGE SELECTABLE	ADD ON
FLAT PANELS	2X4	684	X = 35K/40K/50K	2 = 120-277V	50W = 40W/45W/50W	LD-PANEL-MB2X4W = LED PANEL 2x4 SURFACE MOUNT BRACKETS WHITE
	2X2	664	X = 35K/40K/50K	2 = 120-277V	36W = 25W/30W/36W	LD-PANEL-MB2X2W = LED PANEL 2X2 SURFACE MOUNT BRACKETS WHITE
	1X4	664	X = 35K/40K/50K	2 = 120-277V	36W = 25W/30W/36W	LD-PANEL-MB1X4 = LED PANEL 1X4 SURFACE MOUNT BRACKETS WHITE
						LD-BB-8W-CCT = BATTERY BACKUP 8W FOR LED OR CCT CHANGABLE MODEL W/ 0-10 V DIM WIRES 663-HANGER = HANGER KIT FOR LED PANEL CHAINS