



**Industry & Commercial LED Lighting Company**

**4403 Greenbriar Dr, Stafford, Texas 77477**

**Tel No. 1-800-8385070**

**Monday - Friday 8:30 AM to 5:30 PM**

## 601X2-XXXW BOLLARD

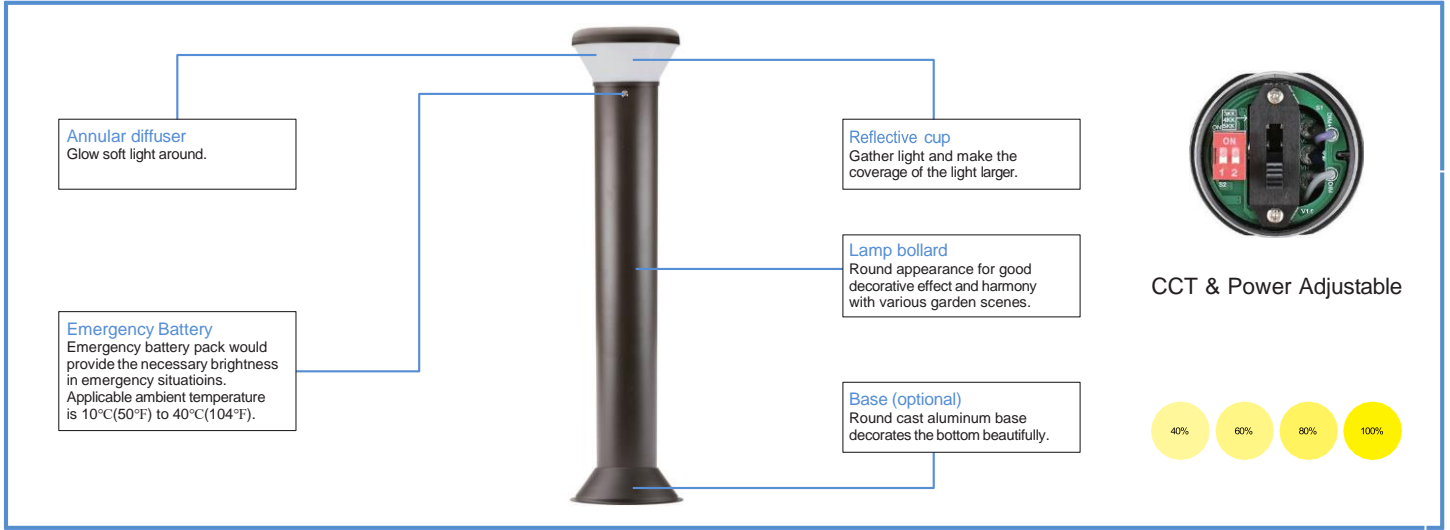


### Introduction

- Suitable for building entryways, walking paths and pedestrian plazas, as well as any other location requiring a low-mounting-height light source.

### Product Features:

- Efficacy higher than 115 lm/W with zero uplight while consumes 26W.
- Round appearance for good decorative effect, sized in 3.5ft height.
- Dark bronze polyester powder-coat finish.
- 360 degrees surround illumination with 80 CRI.
- 1-10V dimming and projected over 50,000 hrs life span.
- Operating temperature is -40°C to 40°C(-40°F to 113°F).
- Optional emergency function for emergency needs.
- Robust ground cage pre-buried installation.
- UL/cUL wet location listed and DLC qualified.



PERFORMANCE DATA

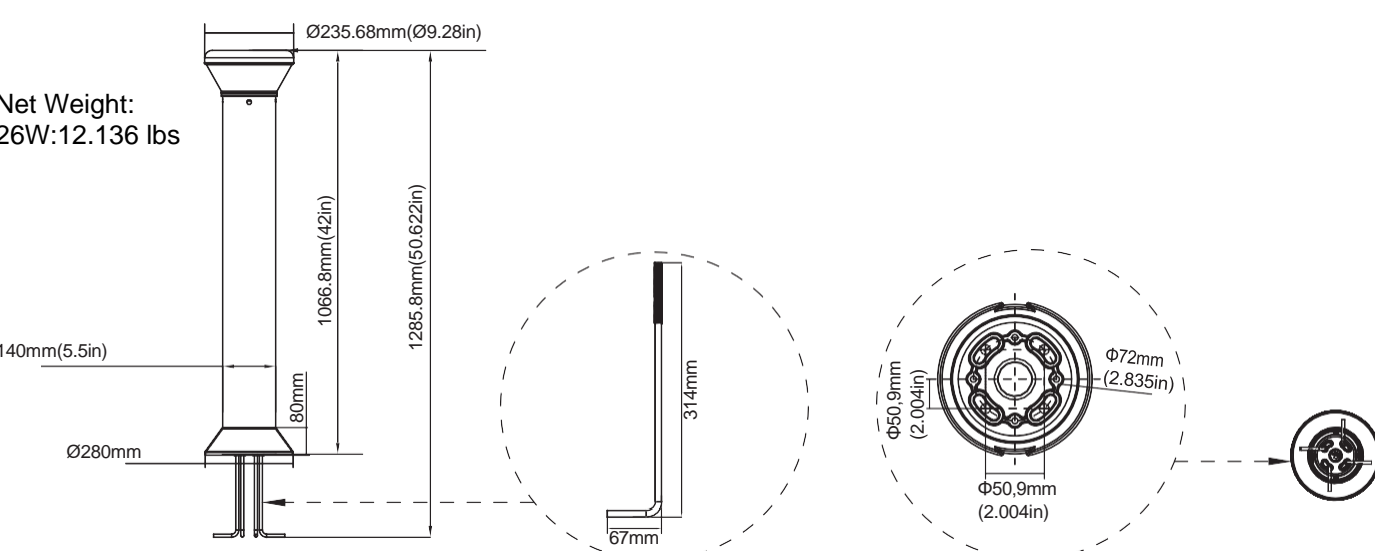
SYSTEM WATTS	VOLTAGE	3000K(CRI70)		4000K(CRI80)		5000K(CRI80)	
		LUMENS	LPW	LUMENS	LPW	LUMENS	LPW
26W	120-277V	2800lm	110lm/W	3000lm	115lm/W	3100lm	119lm/W

ELECTRICAL DATA

Number Of Drivers	Driver Current (mA)	Nominal Power (W)	INPUT VOLTAGE (V)	CURRENT (Amps)
1	670	26	120	0.22
		26	208	0.13
		26	240	0.11
		26	277	0.09

DIMENSION

Unit: inch/mm



DVDLIGHTS - INDUSTRIAL & COMMERCIAL LED LIGHTING COMPANY - CCT SELECTABLE LED DOWNLIGHT

**ORDERING GUIDE**  
**601X2-26W**

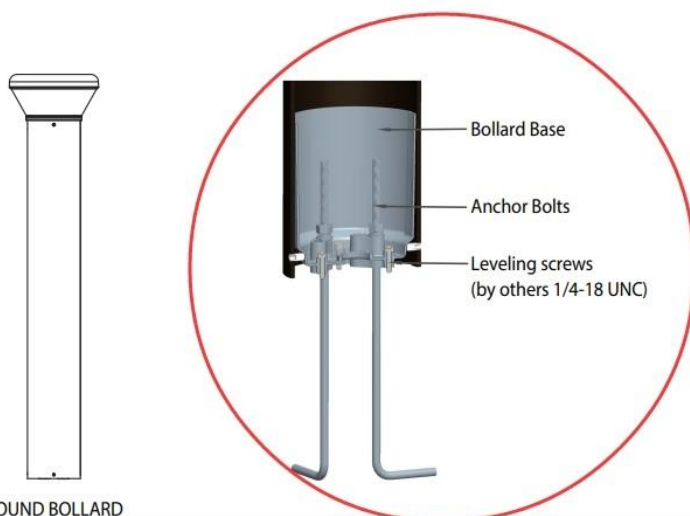
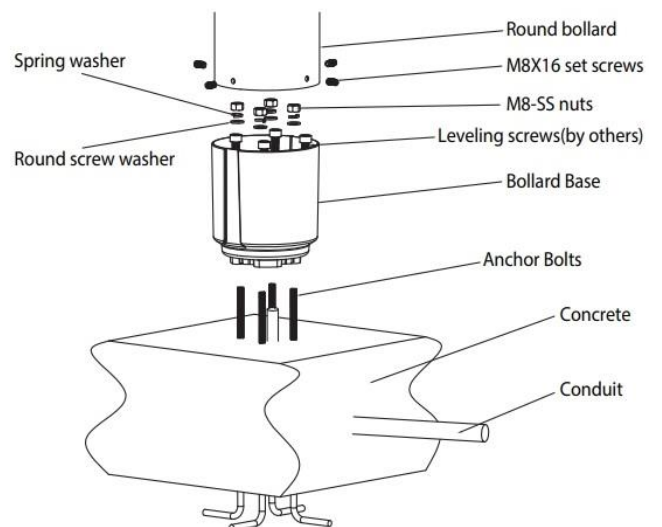
PRODUCT TYPE	PRODUCT NAME	CCT SELECTABLE	INPUT VOLTAGE	WATTAGE	FIXTURE
BOLLARD	601	X=30/40/50	2=120-277V	26W	BRONZE

**DLC Model NO**

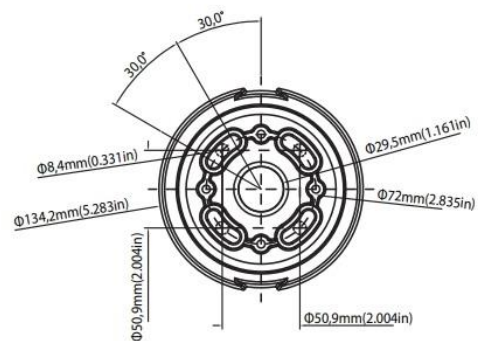
SYSTEM WATTS	VOLTAGE	CCT	DLC NO	DLC Classification
26W	120-277V	4000 K	MBL0126W27V40K[D,B,W][Blank,B][Blank,A-Z,a-z,0-9]	Standard
	120-277V	5000 K	MBL0126W27V50K[D,B,W][Blank,B][Blank,A-Z,a-z,0-9]	Standard

**Installation Instructions**

1. Place the Bollard base over Anchor Bolts.
2. Loosely tighten the washers and nuts provided. Tighten all nuts and screws.
3. Be sure supply leads extend far enough to make fixtures connections. Wiring connections be made now.
4. Slide the bollard over on bollard base lined up with the grooves. Be sure to check the LED position on the Bollard.



ROUND BOLLARD



ANCHOR BOLT TEMPLATE FOR BLED BOLLARD