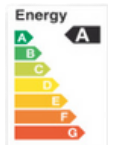




Industrial & Commercial LED Lighting Company

4403 Greenbriar Dr, Stafford, Texas 77477
Tel No. 1-800-8385070
Monday - Friday 8:30 AM to 5:30 PM

115 SERIES CCT SELECTABLE AND WATTAGE LED UFO HIGH BAYS



Construction:

- **Fin Design:** Enhanced with advective holes and grooves within each fin for optimized thermal performance.
- **Heat Dissipation:** ADC12 Aluminum Engineered for superior heat dissipation, ensuring prolonged LED lifespan and consistent performance.
- **Designed to perform reliably** within a wider temperature range from -40°F to 131°F (-40°C to 55°C).
- **Accessories:** Customizable range of optional accessories like Hook/Chain, ½" G size Pole Pendant, and Surface Mounting etc.

Optics Features:

- **Light Distribution:** Professional light distribution technique employed to achieve optimal coverage.
- **Reflectivity:** Incorporates high light reflectivity reflectors for enhanced luminous efficiency.
- **Beam Angle:** 110° beam angle for comprehensive area coverage.
- **Lens Performance:** The lens boasts an impressive pass rate exceeding 90%.
- **Color Temperature:** Choose from CCT options of 3500K, 4000K, and 5000K for versatile lighting environments.

Electrical Specification and Efficiency:

- **Input Voltage Range:** AC 120-277 VAC and 277-480 VAC
- **Efficacy:** 140LM/Wattage
- **Wattage and CCT Options:** You can choose from fixtures with either a set CCT and fixed wattage, or opt for fixtures that offer both selectable CCT and wattage settings.
- **Dimming Functionality and Sensor Options:** Enjoy personalized illumination control with 0-10V dimming capability. Choose between MCROWAVE or PIR sensor, which operate effectively both with or without 0-10V dimming feature.
- **Components:** Equipped with high-quality Songsen driver and LEDs for reliable and efficient operation.

Maintenance Guidelines:

- Optimal Performance: Sustain optimal lighting performance by periodically cleaning the lens/diffuser of the LED UFO High Bay light.
- Heat Dissipation: To maintain effective heat dissipation and optimal performance, ensure the cleanliness of the LED UFO High Bay shell.
- Cleaning Recommendations: Use a dry or wet cloth for cleaning; avoid exposure to corrosive substances.

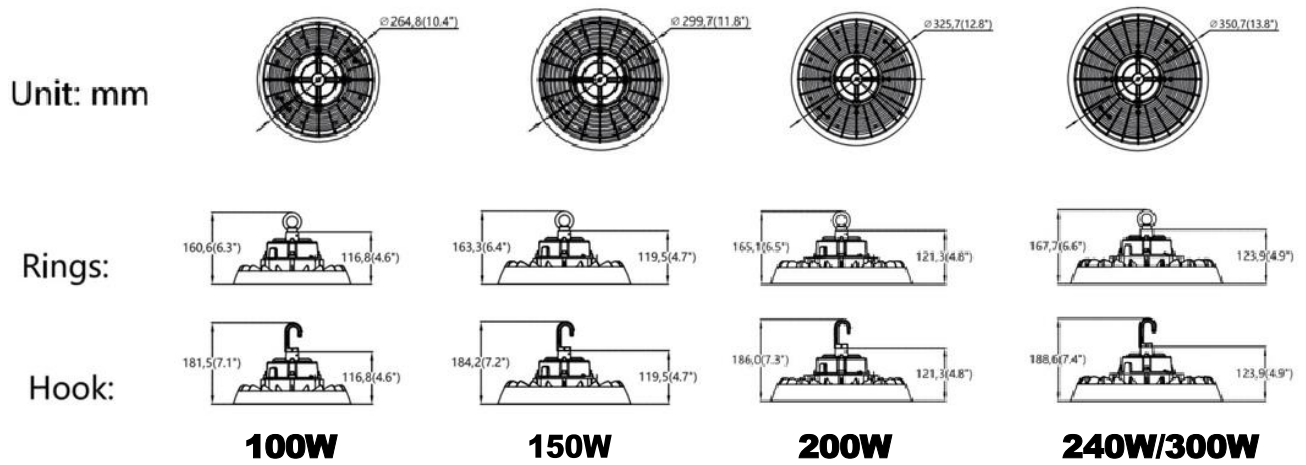
Electrical Hazards:

- High-Voltage Precaution: Due to the fixture's high voltage, avoid disassembly to mitigate the risk of severe electric shock.

Compliance:

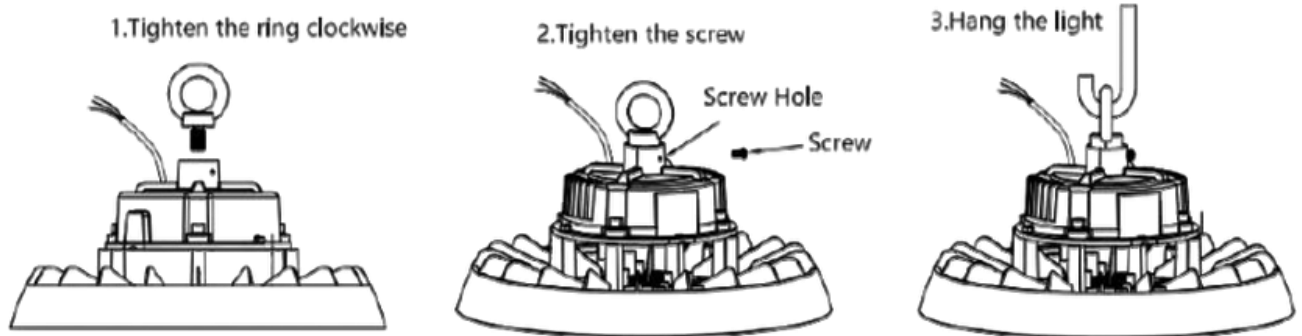
- DLC 5.1 Premium Certification: Achieves superior standards in terms of luminous efficacy and reduced UGR (Unified Glare Rating)
- UL Listed

Dimension & Weight

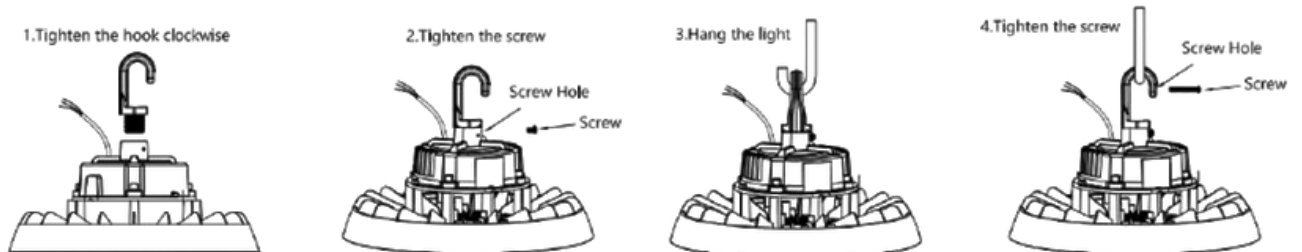


Installation

Rings Type:



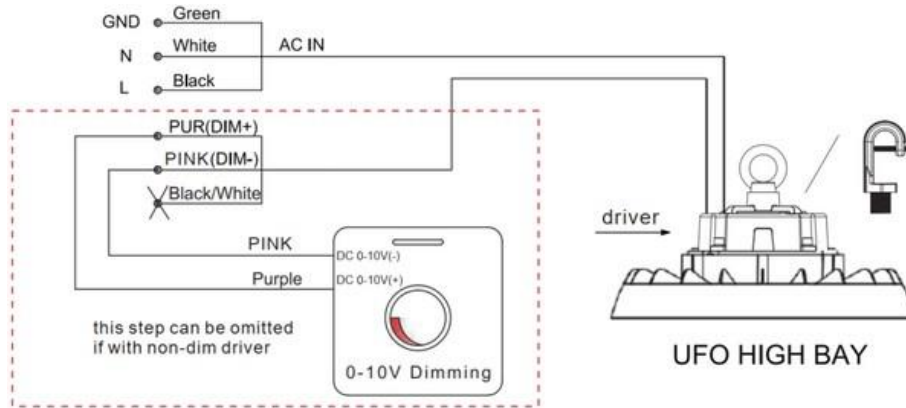
Hook Type:



DVDLIGHTS - INDUSTRIAL & COMMERCIAL LED LIGHTING COMPANY - 115 SERIES CCT SELECTABLE AND WATTAGE LED UFO HIGH BAYS

Wiring Connection:

- ◆ When connecting the AC wire, please don't forget to turn off first the power.
- ◆ Black wire to L, White wire to N, and Green wire to E.
- ◆ Dimmer connection (with dimmable driver)
 - Compatible with 0-10V dimming,
 - Connect wires as below:
 - Purple wire is D+
 - Pink wire is D-
 - Black/White wire is 12V



Application



Lighting Parameters

DLC Number	Wattage	Working Voltage	CCT	Lamp Bead Model	LED Driver	Beam Angle	Lighting Efficiency	Color Rendering Index	Operating Temperature	Storage Temperature	Environment Location	Lifespan	Lamp Shell
UHB1210-100W-110-X-XXX(XX)	100W	AC 120 - 277V	3500K	2835	Sosen	110°	140LM/W	Ra>80	-40°F ~ 131°F -40°C ~ 55°C	-40°F ~ 158°F -40°C ~ 70°C	Wet Location	≥5000H	Black & White
UHB1215-150W-110-X-XXX(XX)	150W		4000K										
UHB1220-200W-110-X-XXX(XX)	200W		5000K										
UHB1224-240W-110-X-XXX(XX)	240W		5700K										
UHB1224-300W-110-X-XXX(XX)	300W		6500K										
UHB1210-100W-110-X-HV-XXX(XX)	100W	AC 277 - 480V	3500K	2835	Fahold	110°	140LM/W	Ra>80	-40°F ~ 131°F -40°C ~ 55°C	-40°F ~ 158°F -40°C ~ 70°C	Wet Location	≥5000H	Black & White
UHB1215-150W-110-X-HV-XXX(XX)	150W		4000K										
UHB1220-200W-110-X-HV-XXX(XX)	200W		5000K										
UHB1224-240W-110-X-HV-XXX(XX)	240W		5700K										
UHB1224-300W-110-X-HV-XXX(XX)	300W		6500K										

- ◆ "X" can be "H" or "HY" (Y=number) to represent lighting effect (*no effect to power);
- ◆ "XXX" can be "35K", "40K", "50K", "57K", "65K";
- ◆ "(XX)" can be (MS), (PIR), (BT) to indicate Microwave Sensor, PIR Motion sensor, Motion Sensor with Bluetooth or blank to indicate without Motion Sensor.

Ordering Guide

Example: 115X2-150+115C2-150W

PRODUCT TYPE	PRODUCT SERIES	CCT	INPUT VOLTAGE	WATTAGE	SPECIAL FEATURES	ADD ON	
UFO HIGHBAY	115	C = 50K	2 = 120-277V	150W	J-HOOK / PENDENT MOUNT CAPABLE	ALUMINUM REFLECTOR	115C2-150W-ALREFLECTOR 115C2-240W-ALREFLECTOR
				240W		PC REFLECTOR	115C2-150W-PCREFLECTOR 115C2-240W-PCREFLECTOR
				300W		U BRACKET	115C2-150W-BRACKET 115C2-240W-BRACKET
		150W = (100/125/150W) SELECTABLE 240W = (150/200/240W) SELECTABLE	ACCESSORIES	LD-SAFE-ROPE LD-PIR-12V			
		240W = (150/200/240W) SELECTABLE	OCCUPANCY	LD-MICROWAVE-12V LD-REMOTE-RC100			
			X= 35/40/50K	2 = 120-277V			
		X= 35/40/50K	7 = 277 - 480V				

Safety Precautions

- ♦ Professional Installation: Installation, maintenance, and electrical tasks must be exclusively undertaken by qualified electricians.
- ♦ Wiring Safety: Prior to any wiring activities, ensure complete disconnection of power.
- ♦ Grounding Importance: Proper grounding of the LED UFO High Bay light is imperative for safe and reliable operation.

DVDLIGHTS - INDUSTRIAL & COMMERCIAL LED LIGHTING COMPANY - 115 SERIES CCT SELECTABLE AND WATTAGE LED UFO HIGH BAYS