



Industrial & Commercial LED Lighting Company

4403 Greenbriar Dr, Stafford, Texas 77477
Tel No. 1-800-8385070
Monday - Friday 8:30 AM to 5:30 PM

628 SERIES SHOEBOX LIGHT LED AREA LIGHT



Product Construction:

- Fin Design: Enhanced with advective holes and grooves within each fin for optimized thermal performance.
- Cast aluminum design, better cooling and easy installation with ADC12 Aluminum Engineered for superior heat dissipation, ensuring prolonged LED lifespan and consistent performance
- Designed to perform reliably within a wide temperature range from -40°~+122F(-40°C ~ +50°C)
- Fixture housing color: Dark Brown
- Accessories: Customizable range of optional accessories like slip fitter, extrusion, yoke and trunnion as surface mounting etc.

Optical Features:

- Light Distribution: Professional light distribution technique employed to achieve optimal coverage.
- Reflectivity: Incorporates high light reflectivity reflectors for enhanced luminous efficiency.
- Type III LENS, optional Type V LENS, excellent optical design, greatly improving the light utilization and evenness
- Lens Performance: The lens boasts an impressive pass rate exceeding 90%.
- Color Temperature: Choose from CCT options of 3500K, 4000K, and 5000K for versatile lighting environments. CCT options may be subject to stock availability.

Electrical Hazards:

- High-Voltage Precaution: Due to the fixture's high voltage, avoid disassembly to mitigate the risk of severe electric shock.

Electrical Specifications and Efficiency:

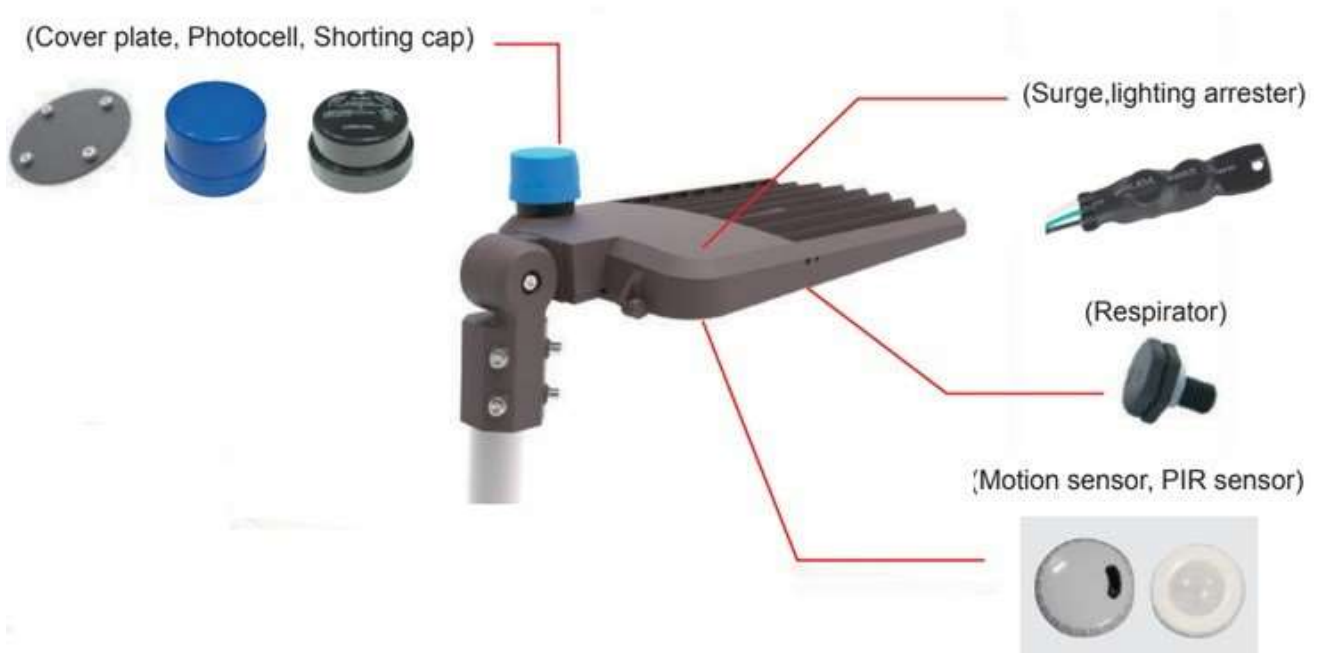
- Input Voltage Range: AC 120-277 VAC and 277-480 VAC; Environment Location: WET Locations (IP65), Surge Protection: 6KV.
- Efficacy: 130LM/Wattage; LEDTj<185°F(temperature of LED pin)
- Wattage and CCT Options: You can choose from fixtures with a set CCT and fixed wattage or opt for fixtures with selectable CCT and wattage settings.
- Photocell Control; Dimming Functionality and Sensor Options: personalized illumination control with 0-10V dimming capability; choose between MICROWAVE or PIR sensor, which operates effectively with or without 0-10V dimming feature.
- Components: Equipped with high-quality Songsen driver and LEDs for reliable and efficient operation.

Maintenance Guidelines:

- Optimal Performance: Sustain optimal lighting performance by periodically cleaning the lens/diffuser of the LED UFO High Bay light.
- Heat Dissipation: To maintain effective heat dissipation and optimal performance, ensure the cleanliness of the LED UFO High Bay shell.
- Cleaning Recommendations: Use a dry or wet cloth for cleaning; avoid exposure to corrosive substances.

Compliance:

- DLC 5.1 Premium Certification: Achieves superior standards in terms of luminous efficacy and reduced UGR (Unified Glare Rating)
- UL Listed



Accessories



Control Options



Photocell
120-277V/120-347V/208-480V



Shorting Cap



PIR Motion Sensor
12V



Surge Protection Device
120-277V/347-480V
The SPD is included as standard for wattage from 150W and higher

Mounting Brackets: (subject to availability)

TYPE A
(Slip-fitter)



TYPE B
(Square/Round pole mount with slip-fitter function)



TYPE D
(Trunnion)

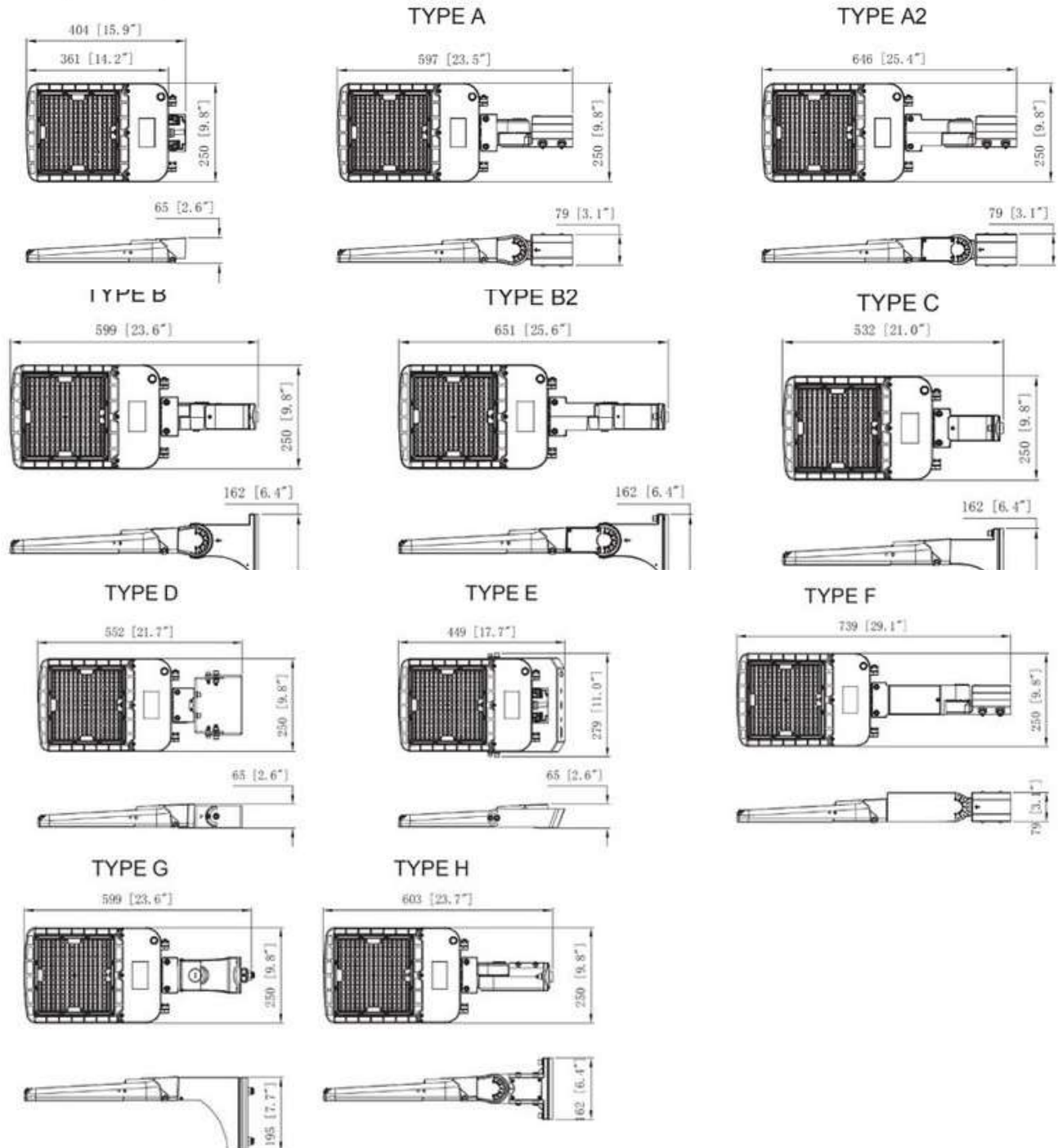


TYPE E
(Yoke)

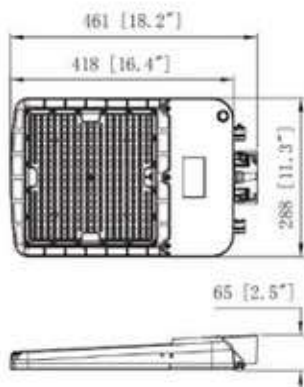


Dimension and Weight

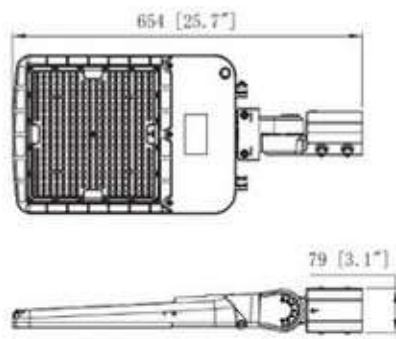
70W/100W/150W



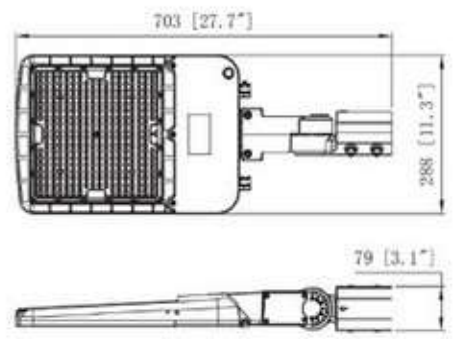
100W/150W/200W



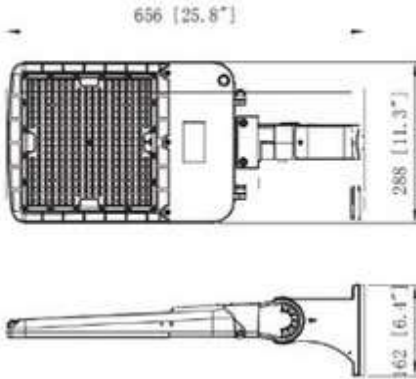
TYPE A



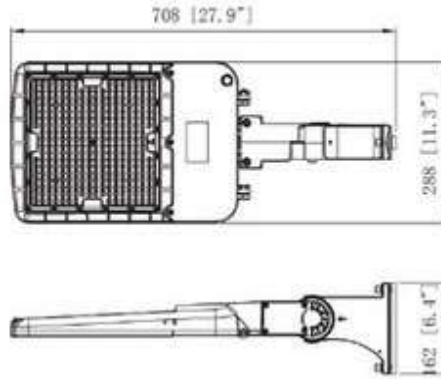
TYPE A2



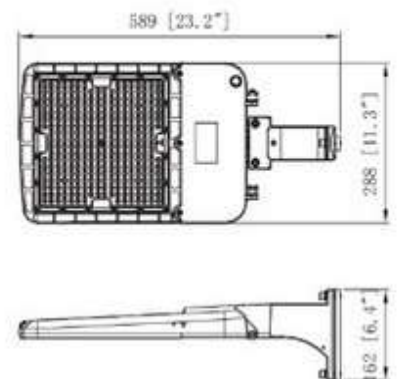
TYPE B



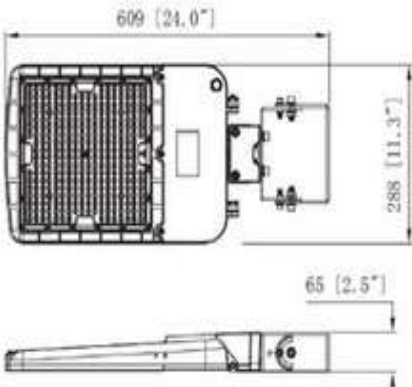
TYPE B2



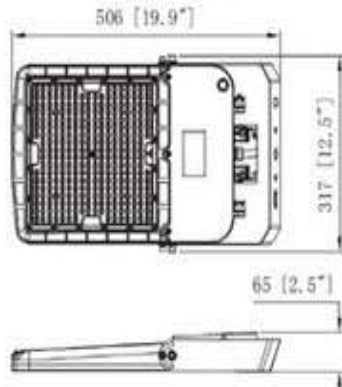
TYPE C



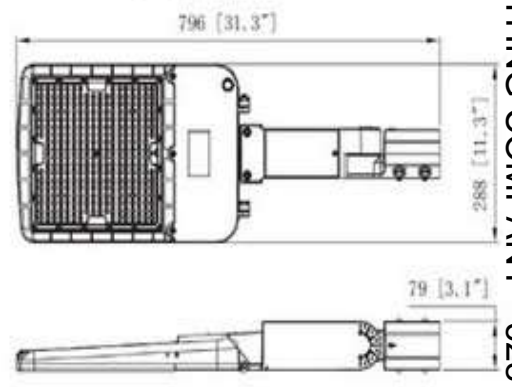
TYPE D



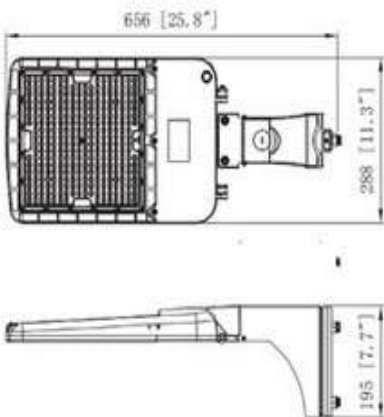
TYPE E



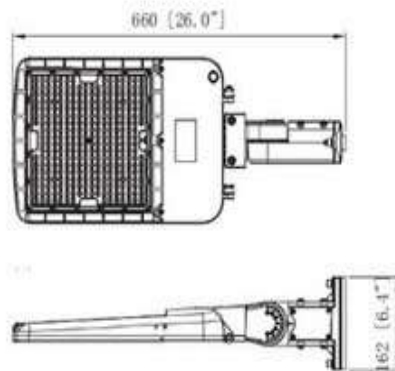
TYPE F



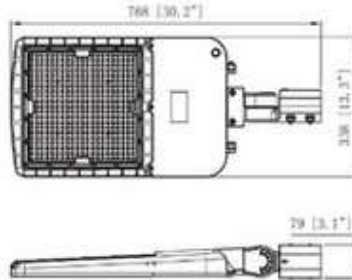
TYPE G



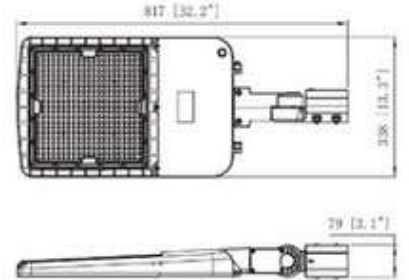
TYPE H



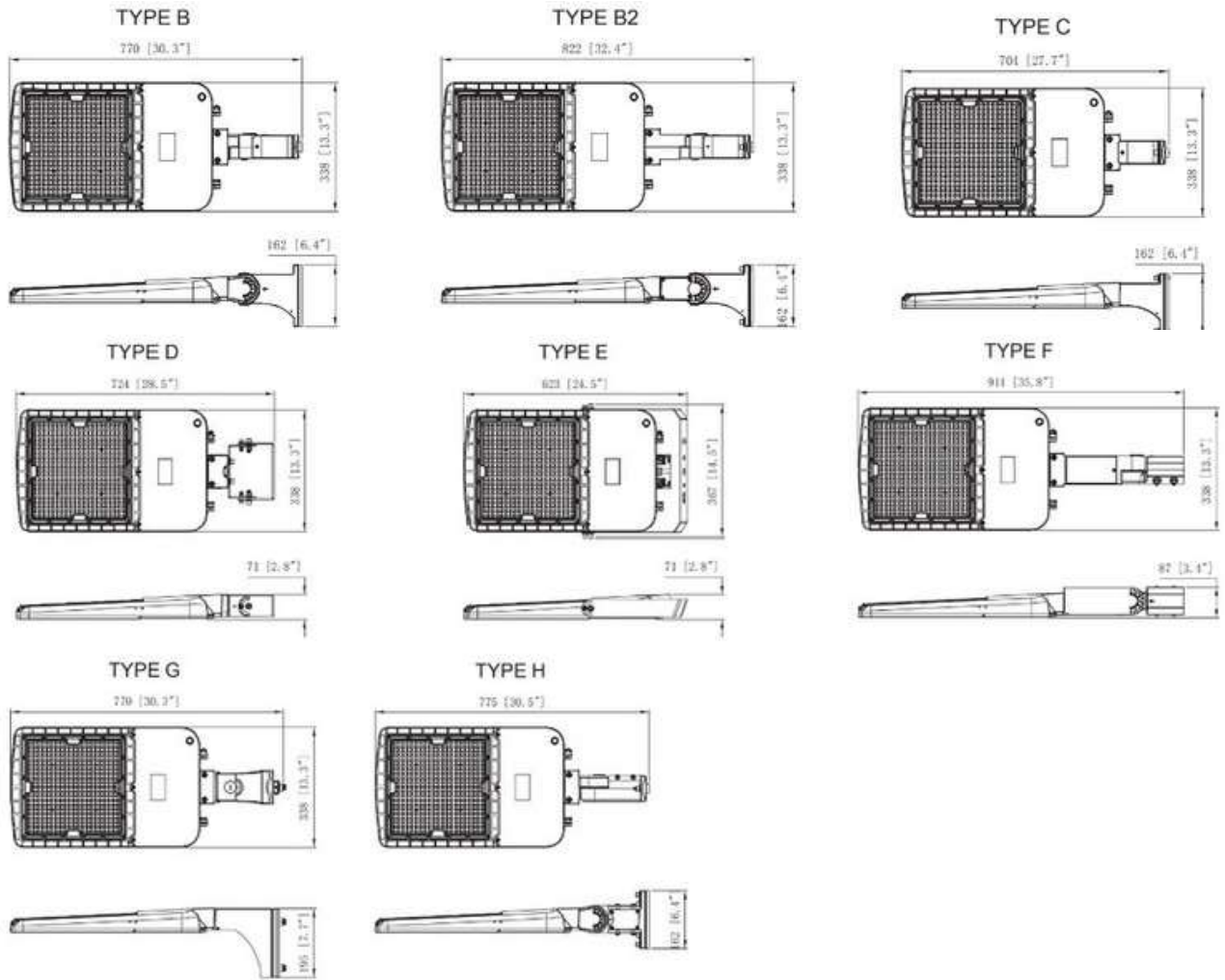
TYPE A



TYPE A2



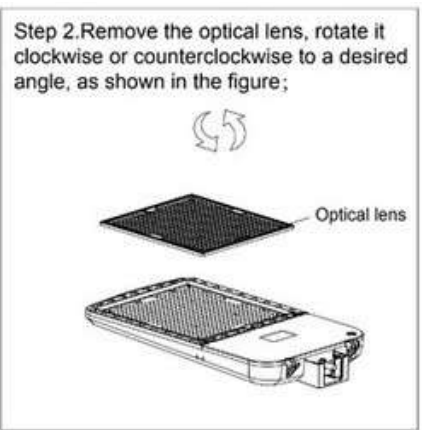
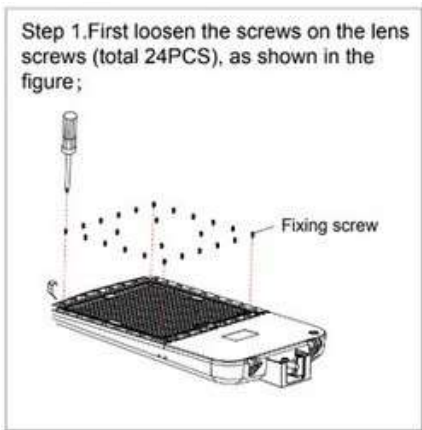
150W/200W/240W
200W/240W/300W



Applications



Operation Instruction of Rotating Optical Lens



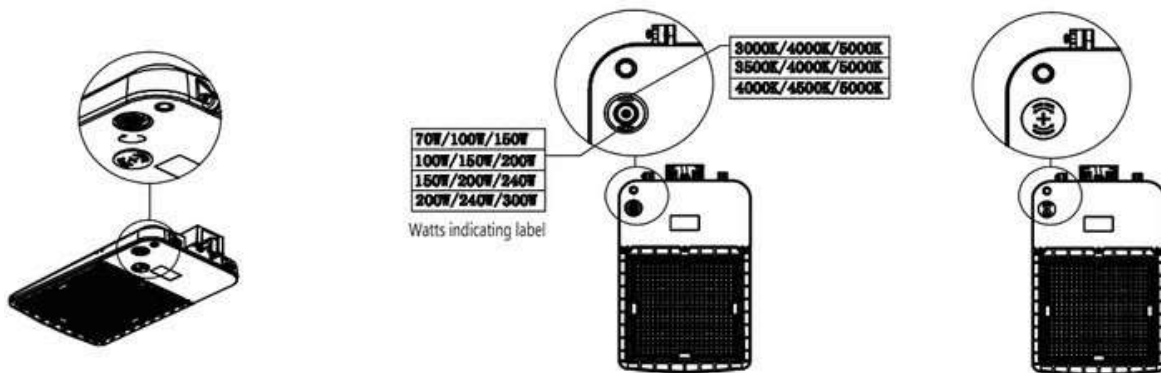
Watts Selected Operation Manual

NOTES: CCT Selectable only and Wattage Selectable only versions are also available.

1. Take of the waterproof rubber cover from the wattage-box.

2. Select the wattage by using the slide switch.

3. Put back the waterproof rubber cover.



Lighting Parameters

DLC Number	Input Voltage	Frequency	Power	Rated Current
TS-XX0810-100W-X-XXK(XXX)	AC 100-277V	50/60Hz	100W	1.1 A
TS-XX0815-150W-X-XXK(XXX)			150W	1.65 A
TS-XX0820-200W-X-XXK(XXX)			200W	2.2 A
TS-XX0824-240W-X-XXK(XXX)			240W	2.64 A
TS-XX0830-300W-X-XXK(XXX)			300W	3.3 A
TS-XX0810-100W-X-MV-XXK(XXX)	AC 120-347V	50/60Hz	100W	0.916 A
TS-XX0815-150W-X-MV-XXK(XXX)			150W	1.375 A
TS-XX0820-200W-X-MV-XXK(XXX)			200W	1.833 A
TS-XX0824-240W-X-MV-XXK(XXX)			240W	2.2 A
TS-XX0830-300W-X-MV-XXK(XXX)			300W	2.75 A
TS-XX0810-100W-X-HV-XXK(XXX)	AC 277-480V	50/60Hz	100W	0.397 A
TS-XX0815-150W-X-HV-XXK(XXX)			150W	0.596 A
TS-XX0820-200W-X-HV-XXK(XXX)			200W	0.794 A
TS-XX0824-240W-X-HV-XXK(XXX)			240W	0.953 A
TS-XX0830-300W-X-HV-XXK(XXX)			300W	1.2 A

Packaging and Weight Details

NOTES: The Fixture and Bracket will be packed separately.

Fixture	Outer Box (L*W*H)	Qty/Ctn (pcs)	N.W/pcs (lbs/Kg)	G.W/pcs (lbs/Kg)	Remarks
100W	17.99"*11.81"*4.72"	1	6.28/2.85	8.29/3.76	1.0M cable
150W	457*300*120mm	1	6.48/2.94	8.50/3.86	
200W	20.24"*13.31"*4.72"	1	6.96/3.16	8.86/4.02	
	514*338*120mm				
240W	24.92"*15.28"*5.04"	1	10.31/4.68	12.56/5.70	
300W	633*388*128mm	1	10.75/4.88	13.00/5.90	

Bracket	Outer Box (L*W*H)	Qty/Ctn (pcs)	N.W/pcs (lbs/Kg)	G.W/pcs (lbs/Kg)
TYPE A	15.0"*9.3"*10.0" 380*236*255mm	8	2.9/1.3	25.1/11.4
TYPE B	17.3"*13.9"*10.2" 440*352*260mm	8	4.0/1.8	34.0/15.4
TYPE C	16.5"*13.9"*7.7" 420*352*196mm	8	2.6/1.2	23.1/10.5
TYPE D	14.8"*11.8"*7.9" 376*300*200mm	8	2.9/1.3	24.9/11.3
TYPE E	15.59"*14.33"*8.66" 396*364*220mm	8	2.02/0.92	2.42/1.10
TYPE F	15.1"*14.3"*8.9" 383*364*225mm	8	4.9/2.2	41.9/19.0
TYPE G	16.7"*10.0"*16.7" 425*253*425mm	8	4.2/1.9	36.6/16.6
TYPE H	13.94"*10.24"*16.7" 354*260*425mm	8		

Ordering Guide

EXAMPLE FIXTURE SKU: 628X2-200W EXAMPLE BRACKET SKU: 628-SLIP EXAMPLE ADD ON SKU: 523C2-PHOTOCELL-200W

PRODUCT TYPE	PRODUCT SERIES	CCT	INPUT VOLTAGE	WATTAGE	PHOTOCELL CAPAB	ADD ON
AREA / POLE LIGHT FIXTURE	628	C=50K	2 = 120-277V	200W	WITH SHORTING CAP	523C2-PHOTOCELL-200W
				300W		523C2-PHOTOCELL-300W
X= 35/40/50K		2 = 120-277V	200W=(100/150/200) SELECTABLE	523C2-PHOTOCELL-200W		
			300W=(200/240/300) SELECTABLE	523C2-PHOTOCELL-300W		
AREA / POLE LIGHT MOUNT			7= 277 - 480V	300W=(200/240/300) SELECTABLE		523C7-PHOTOCELL
		628-SLIP (A) 628-EXTRUSION (B) 628-TRUNION (D) 628-YOKE-200W (E) 628-YOKE-300W (E)				

Safety Precautions

- Professional Installation: Installation, maintenance, and electrical tasks must be exclusively undertaken by qualified electricians.
- Wiring Safety: Prior to any wiring activities, ensure complete disconnection of power.
- Grounding Importance: Proper grounding of the LED UFO High Bay light is imperative for safe and reliable operation.