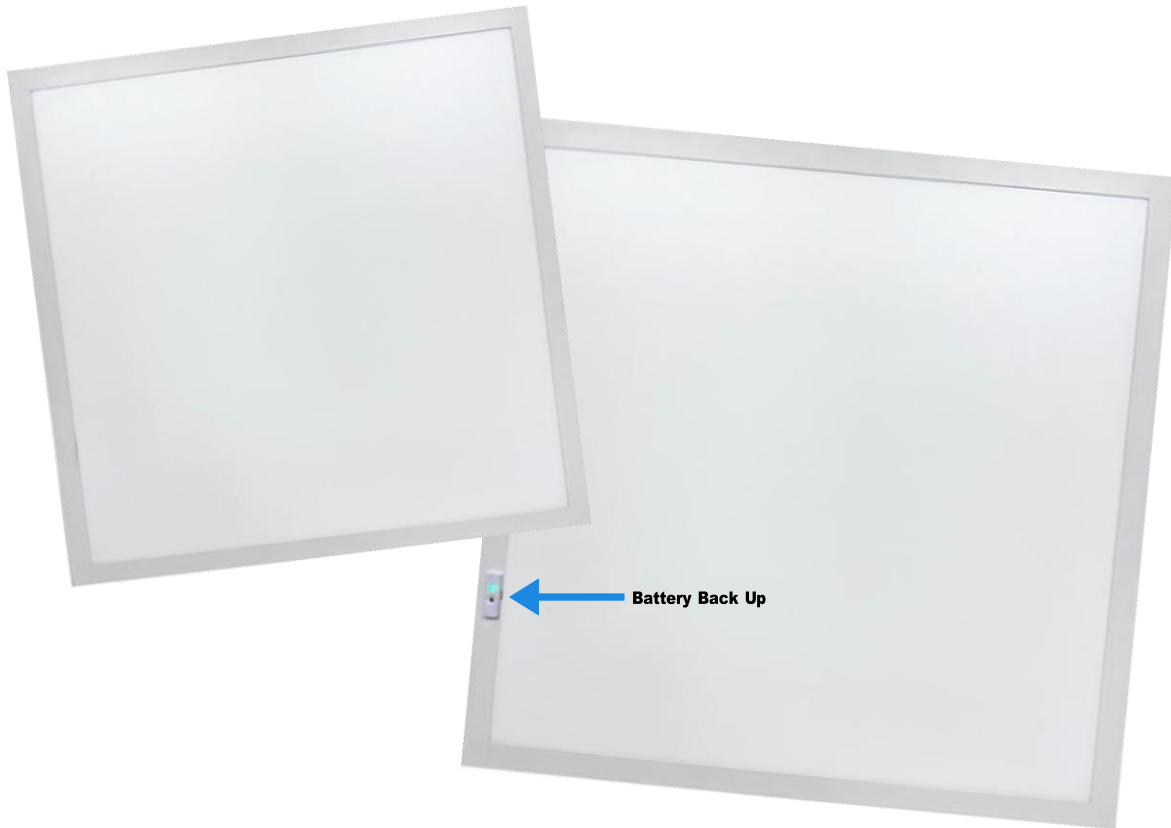




**Industrial & Commercial LED Lighting Company**

4403 Greenbriar Dr, Stafford, Texas 77477  
Tel No. 1-800-8385070  
Monday - Friday 8:30 AM to 5:30 PM

## 685 SERIES BACK-LIT LED PANEL LIGHT



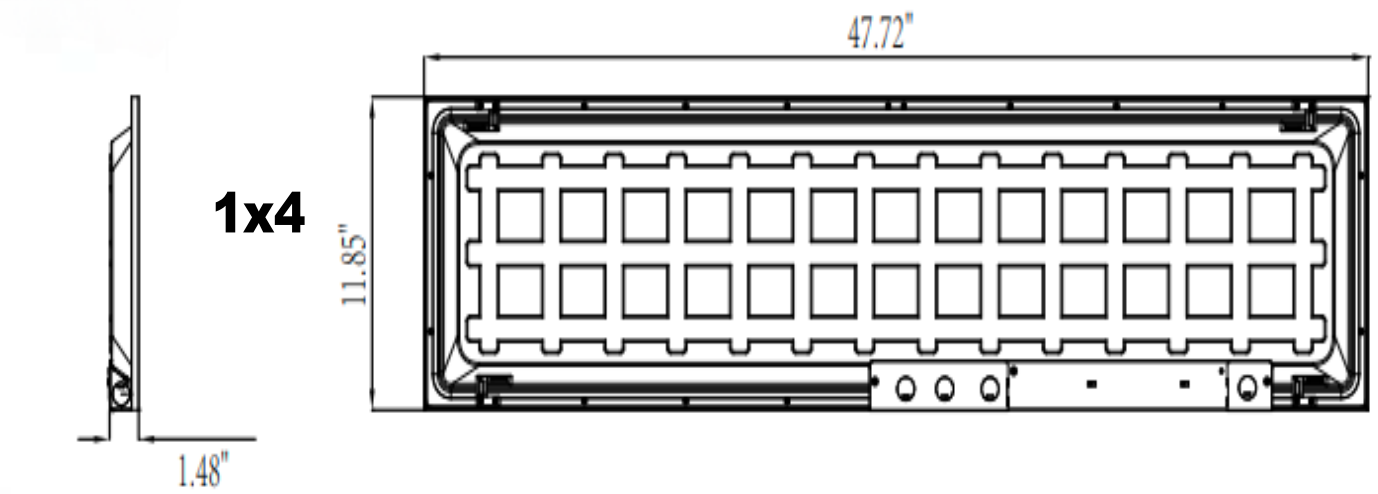
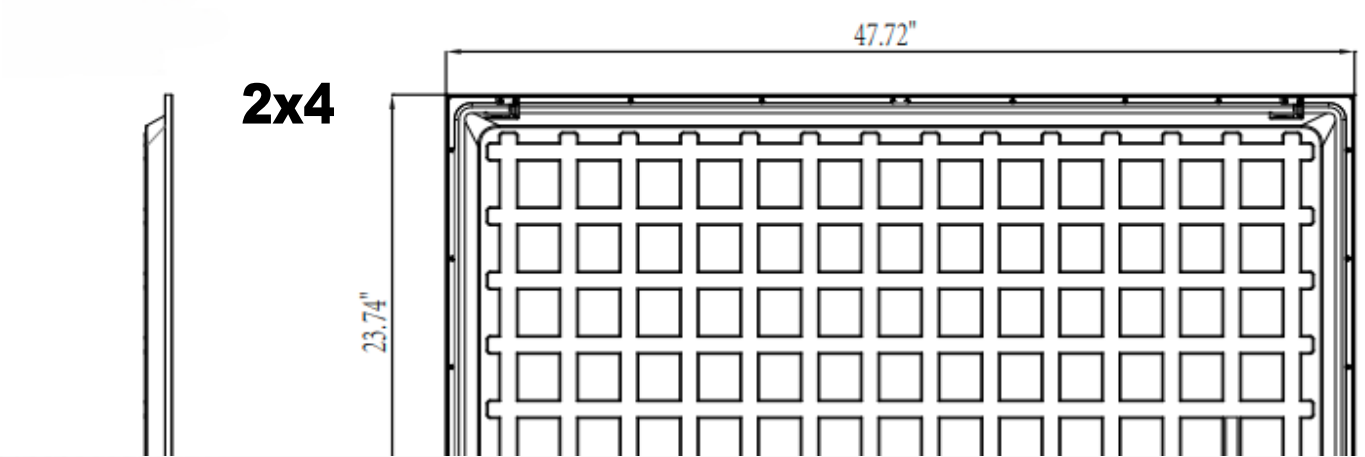
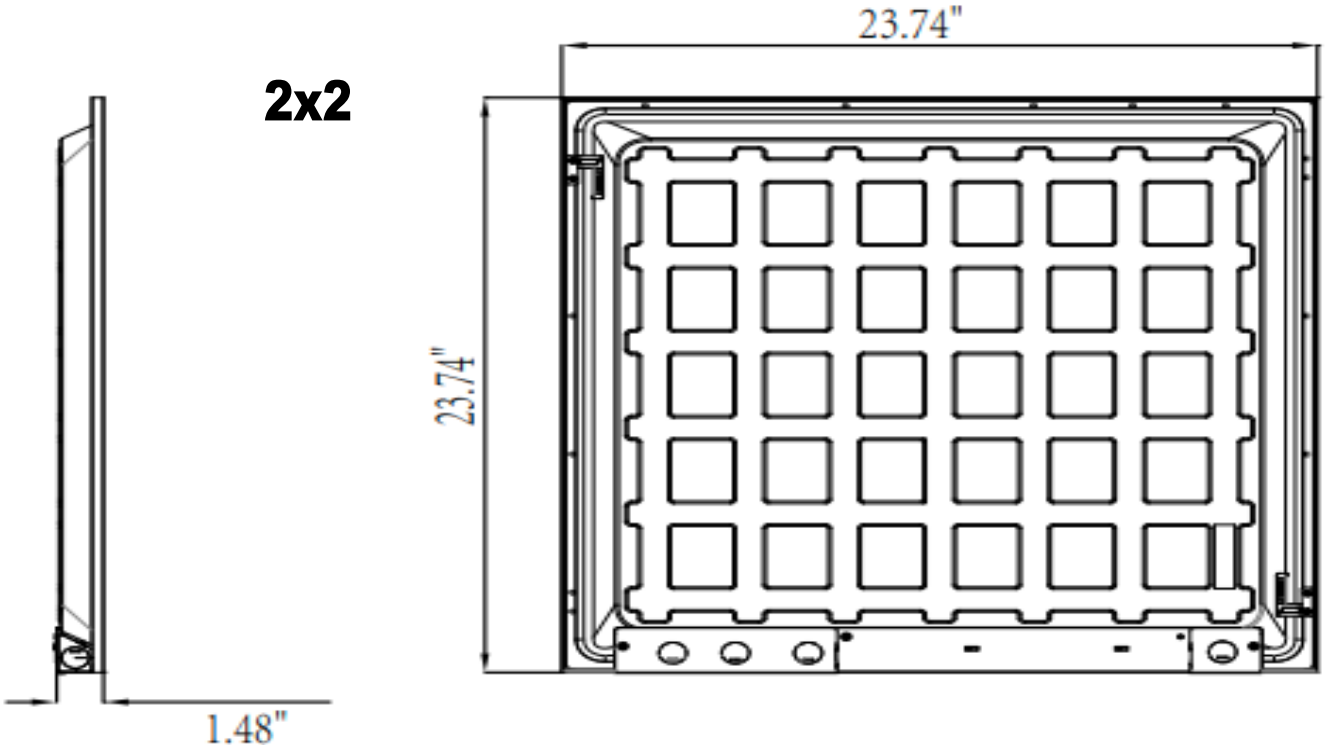
### Product Features:

- The panel light is mainly used in commercial lighting places, such as office, factory, supermarket and so on.
- The panel light has uniform and soft luminance, high luminous efficacy, saving energy and protecting environment.
- Using principle of back-lit, the panel light is extremely beautiful.
- Using high quality material, with great heat dissipation and low light degradation.
- Using high quality driver, efficiency>86%, PF>0.9.
- Lifespan>50,000 hours.
- 0-10V dimming function dimming driver.
- Dustproof: Zero distance between back cover and the frame protect against dust perfectly.
- No yellowing problem of Light Guided Plate for this panel light.
- Connect the AC wire and DC wire of the driver input separately.
- CCT Adjustable range: 3500K-4000K-5000K.
- Power Adjustable range.

### Suitable Applications:

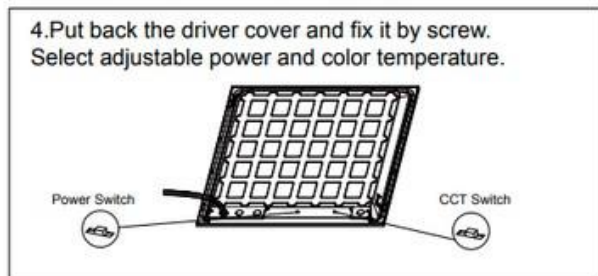
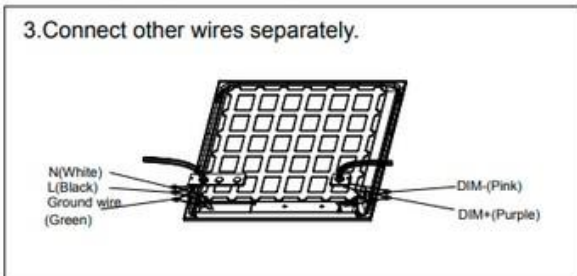
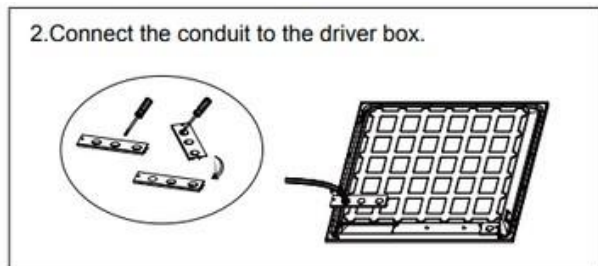
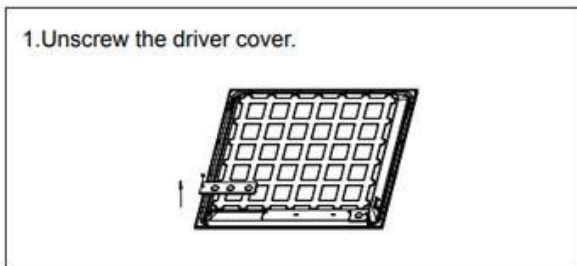
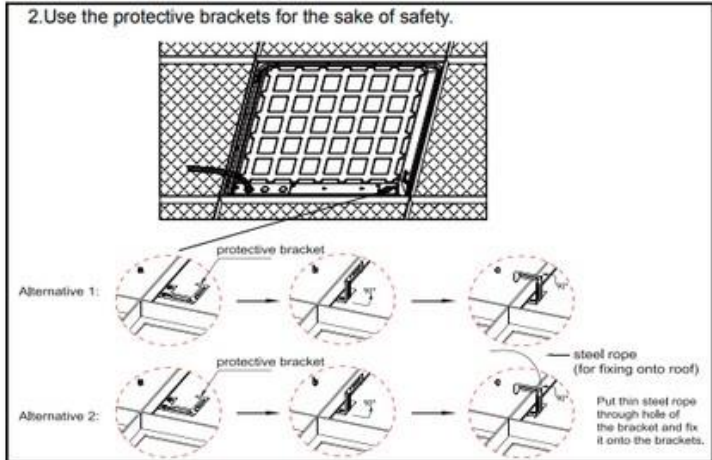
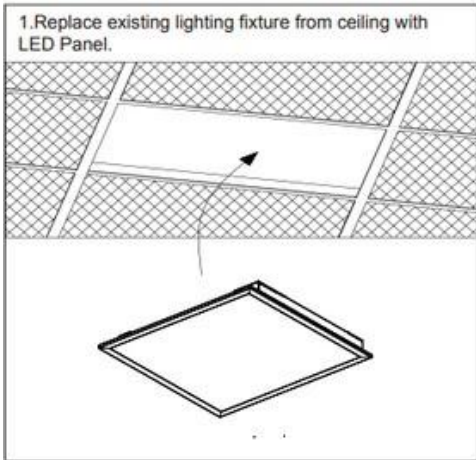
- Retail
- Schools
- Offices Healthcare
- Conference rooms Hospitality
- Corridors Reception areas
- Foyer Library

Dimension and Weight

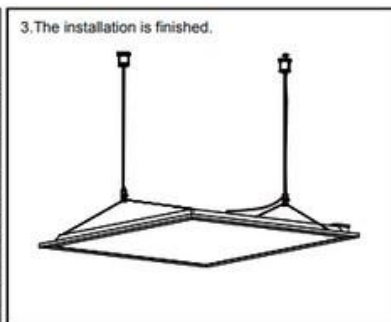
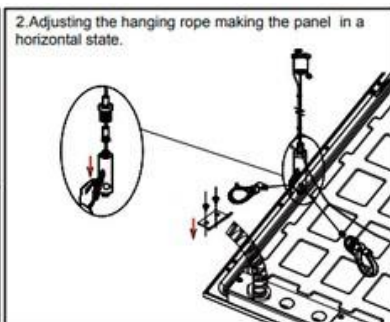
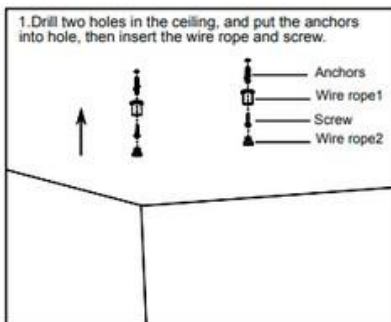


**Installation**

**Recessed Installation:**



**Suspension Kit Installation:**



**Note:** 2\*2/1\*4/2\*4ft: 2 pcs suspension kits needed for installation.

**Ordering Guide**

**Example:** 685X2-40W22

| PRODUCT TYPE             | PRODUCT NAME | SELECTABLE CCT     | INPUT VOLTAGE | WATTAGE SELECTABLE | SIZE     | ADD ON                                 |
|--------------------------|--------------|--------------------|---------------|--------------------|----------|--|
| FLAT PANEL<br>685 series | 685          | X =<br>35K/40K/50K | 2 = 120-277V  | 40W = 30W/35W/40W  | 22 = 2X2 |  |
|                          |              |                    |               | 40W = 30W/35W/40W  | 22 = 2X2 | EM = With preinstalled battery back up |
|                          |              |                    |               | 50W = 30W/40W/50W  | 24 = 2x4 |  |
|                          |              |                    |               | 50W = 30W/40W/50W  | 24 = 2x4 | EM = With preinstalled battery back up |

## Application



## Precautions and Safety

- ◆ Make sure the distances between the live and metal parts of the LED Panel can satisfy reinforced or double insulation.
- ◆ The luminaire should only be installed by a qualified electrician.
- ◆ Before installation and maintenance of the LED Panel, please disconnect the power to prevent electric shock.
- ◆ Before installation and maintenance, LED Panel must be operated by professional and technical personnel; non-professionals do not remove the light.
- ◆ The LED panel must be installed in an appropriate environment to work. In harsh environments may shorten the life or even damage the light.
- ◆ For type Y attachments:
  - If this luminaire's external flexible cable or cord is damaged, it shall be exclusively replaced by the manufacturer, his service agent, or a similarly qualified person to avoid a hazard.