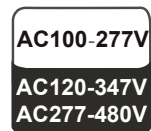
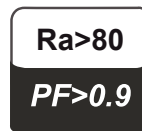


LED AREA/SHOEBOX LIGHT



SENSOR
SOCKET

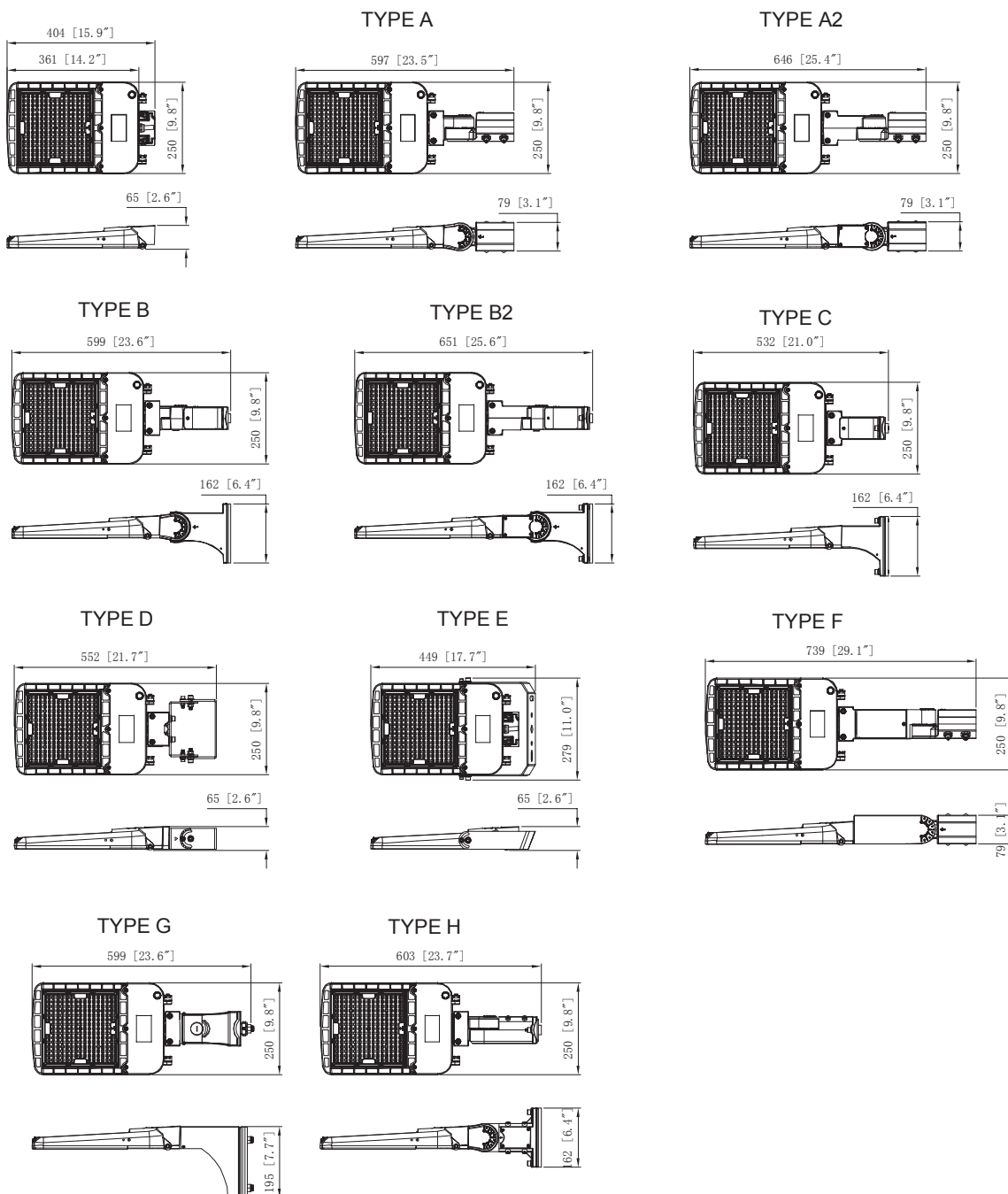


Product Features

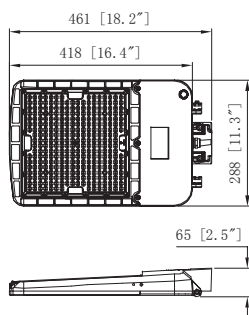
- 1.High efficiency LED Driver, the wide range input voltage AC100-277V,AC120-347V,AC277-480V, Surge protection: 6KV.
- 2.Lumileds LED high luminous efficiency and long life.
- 3.Cast aluminium design, better cooling and easy replacement, light quality, LEDTj<185°F.
- 4.Excellent optical design, greatly improve the light utilization and evenness.
- 5.Special designed rotatable lens, suitable for more applications.
- 6.PhotoCell Control, Motion sensor,PIR sensor Available (Option).

Product Dimension

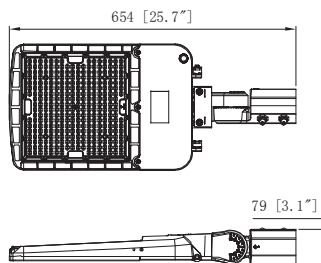
SL0810-100W SL0810-100W-MV
 SL0815-150W SL0815-150W-MV



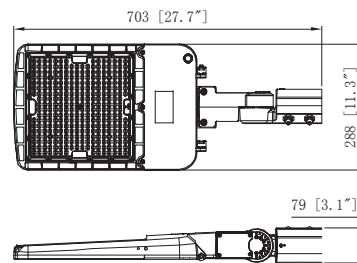
SL0820-200W
 SL0820-200W-MV
 SL0810-100W-HV
 SL0815-150W-HV



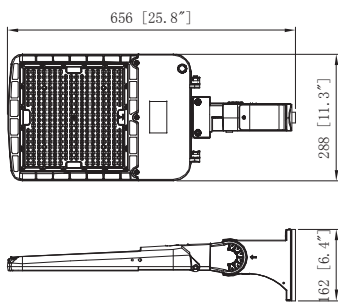
TYPE A



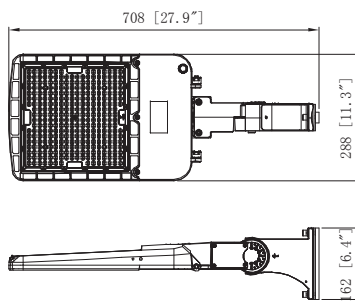
TYPE A2



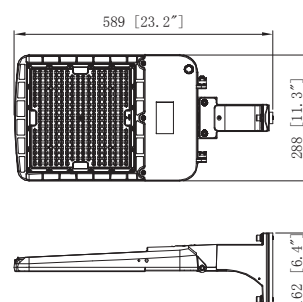
TYPE B



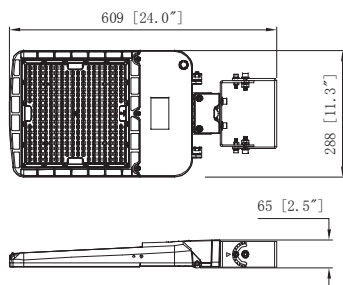
TYPE B2



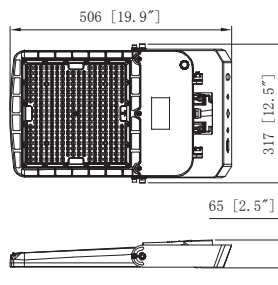
TYPE C



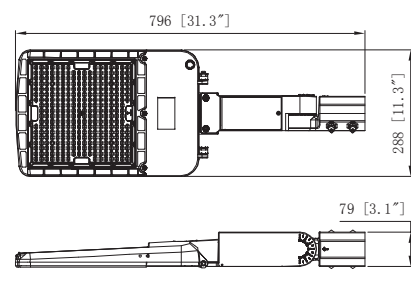
TYPE D



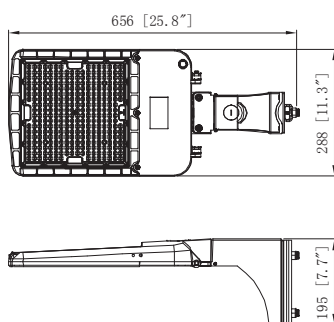
TYPE E



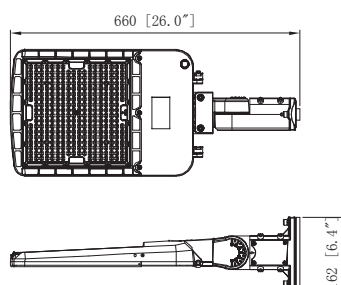
TYPE F



TYPE G

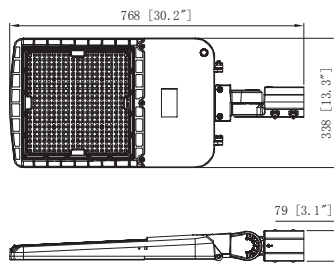
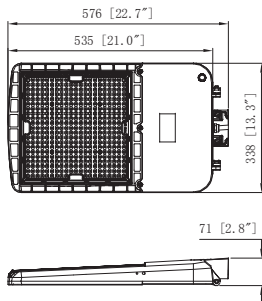


TYPE H

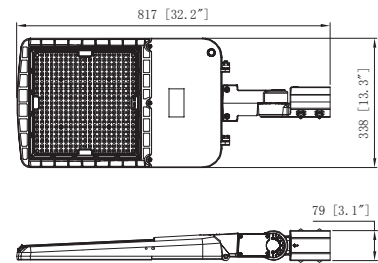


SL0824-240W
 SL0830-300W
 SL0824-240W-MV/HV
 SL0830-300W-MV/HV
 SL0820-200W-HV

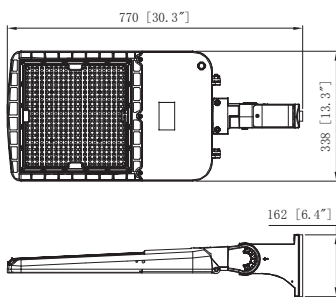
TYPE A



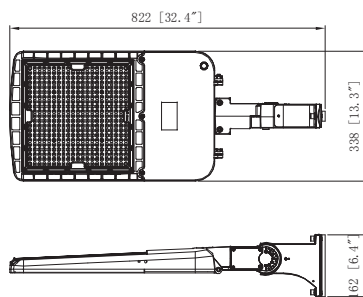
TYPE A2



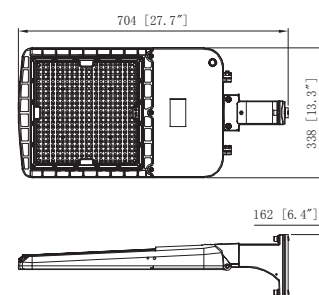
TYPE B



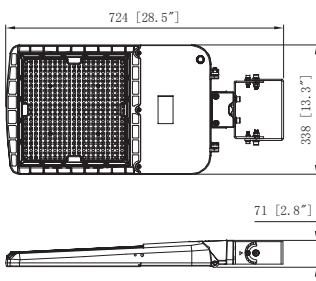
TYPE B2



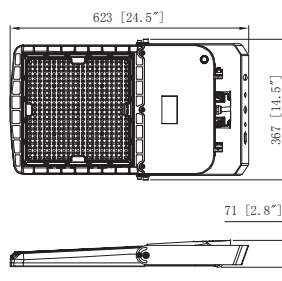
TYPE C



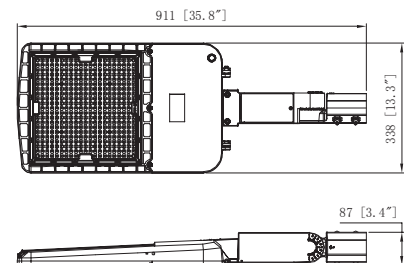
TYPE D



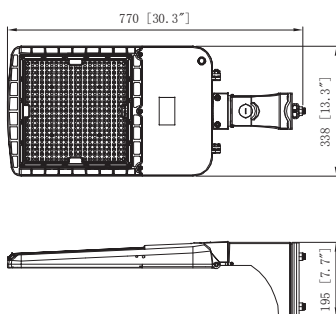
TYPE E



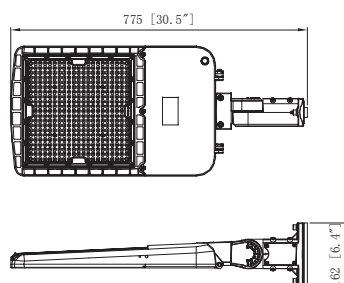
TYPE F



TYPE G



TYPE H



Lighting Parameters

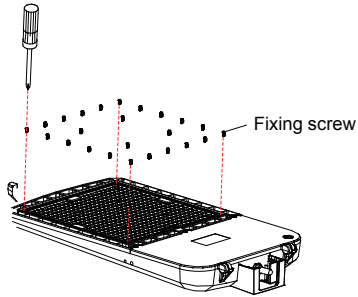
Part No.	Input Voltage	Frequency	Power	Rated Current
TS-XX0810-100W-X-XXK(XXX)	AC100-277V	50/60Hz	100W	1.1A
TS-XX0815-150W-X-XXK(XXX)			150W	1.65A
TS-XX0820-200W-X-XXK(XXX)			200W	2.2A
TS-XX0824-240W-X-XXK(XXX)			240W	2.64A
TS-XX0830-300W-X-XXK(XXX)			300W	3.3A
TS-XX0810-100W-X-MV-XXK(XXX)	AC120-347V	50/60Hz	100W	0.916A
TS-XX0815-150W-X-MV-XXK(XXX)			150W	1.375A
TS-XX0820-200W-X-MV-XXK(XXX)			200W	1.833A
TS-XX0824-240W-X-MV-XXK(XXX)			240W	2.2A
TS-XX0830-300W-X-MV-XXK(XXX)			300W	2.75A
TS-XX0810-100W-X-HV-XXK(XXX)	AC277-480V	50/60Hz	100W	0.397A
TS-XX0815-150W-X-HV-XXK(XXX)			150W	0.596A
TS-XX0820-200W-X-HV-XXK(XXX)			200W	0.794A
TS-XX0824-240W-X-HV-XXK(XXX)			240W	0.953A
TS-XX0830-300W-X-HV-XXK(XXX)			300W	1.2A

- ◆ where XX can be "SL" or "FL"; X can be "H", "L" or "HY" (Y=number);
 XXK can be any number for color temperature:40K,50K,57K,65K, Or TCP, which means
 adjusting power and color temperature;
 (XXX) can be blank = no sensor function, PIR = PIR sensor,PTC = Photocontrol,
 MS = Microwave sensor,PIP = PIR sensor and Photocontrol, MSP = Microwave sensor
 and Photocontrol, PR = PR Motion Sensor, PSC = Photocontrol socket and shorting cap,
 BT = Bluetooth Motion Sensor. BTP=Bluetooth motion sensor and Photocontrol

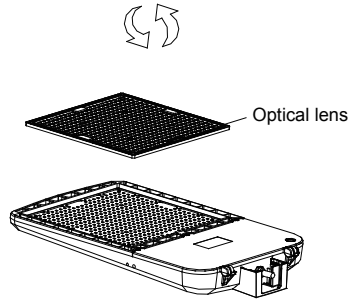
Lamp Bead Model	SMD 2835			
Certificates	UL,CUL			
Lighting Angle	TYPE III-M / TYPE IV-S / TYPE V			
Lighting Efficiency	150 lm/W			
Color Rendering Index	Ra>70			
Working Temperature	-40°F ~+122°F / -40°C ~ +50°C			
Storage Temperature	-40 °F ~+158 °F / -40°C ~ +70°C			
Environment Location	WET LOCATIONS (IP65)			
Life span	>50000H			
Lamp shell	BROWN / BLACK			
Accessories options	Photocell; Shorting cap; Surge protector			
	PIR sensor; Motion sensor; Bluetooth sensor			
	Waterproof cover plate of photocell hole			
Accessories mounting brackets	TYPE A (Slip-fitter) 	TYPE A2 (Slip-fitter) 	TYPE B (Square/Round pole mount with slip-fitter function) 	
	TYPE B2 (Square/Round pole mount with slip-fitter function) 	TYPE C (Square/Round pole mount) 	TYPE D (Trunnion) 	
	TYPE E (Yoke) 	TYPE F 	TYPE G 	TYPE H 

Operation Instruction of Rotating Optical Lens

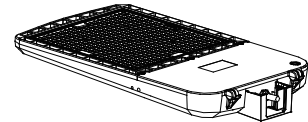
Step 1. First loosen the screws on the lens screws (total 24PCS), as shown in the figure;



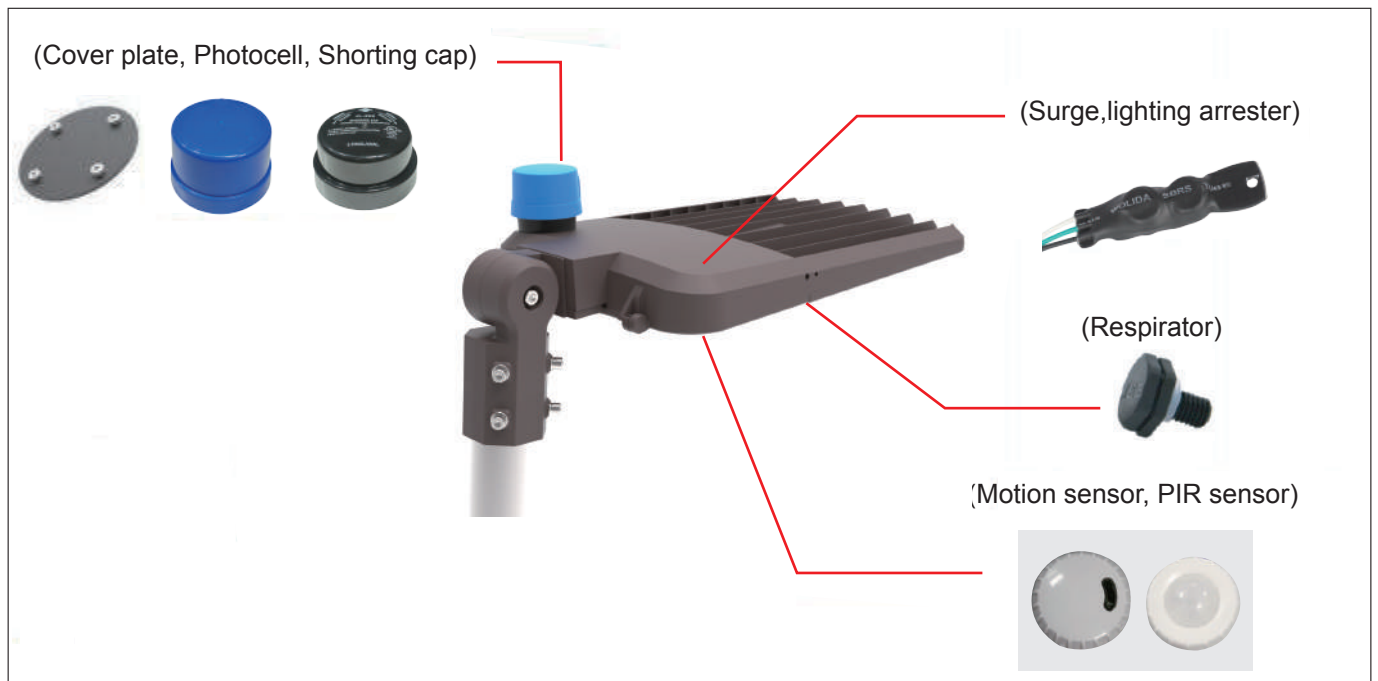
Step 2. Remove the optical lens, rotate it clockwise or counterclockwise to a desired angle, as shown in the figure;



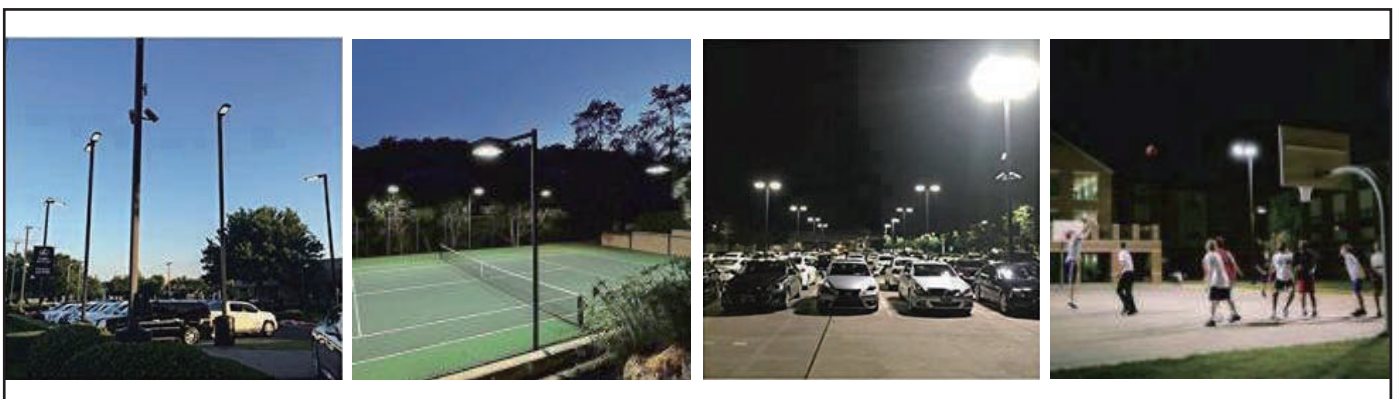
Step 3. Put back the adjusted optical lens, lock screws back, as shown in the figure.



Extended function



Product Application



Packing/Weight

The fixture and bracket will be packed separately.

Fixture	Outer box (L*W*H)	Qty/Ctn (pcs)	N.W/pcs (lbs/Kg)	G.W/pcs (lbs/Kg)	Remarks
100W	17.99"*11.81"*4.72"	1	6.28/2.85	8.29/3.76	1.0M cable
150W	457*300*120mm	1	6.48/2.94	8.50/3.86	
200W	20.24"*13.31"*4.72" 514*338*120mm	1	6.96/3.16	8.86/4.02	
240W	24.92"*15.28"*5.04"	1	10.31/4.68	12.56/5.70	
300W	633*388*128mm	1	10.75/4.88	13.00/5.90	

Bracket	Outer box (L*W*H)	Qty/Ctn (pcs)	N.W/pcs (lbs/kg)	G.W/Ctn (lbs/kg)
TYPE A	15.0"*9.3"*10.0" 380*236*255mm	8	2.9/1.3	25.1/11.4
TYPE B	17.3"*13.9"*10.2" 440*352*260mm	8	4.0/1.8	34.0/15.4
TYPE C	16.5"*13.9"*7.7" 420*352*196mm	8	2.6/1.2	23.1/10.5
TYPE D	14.8"*11.8"*7.9" 376*300*200mm	8	2.9/1.3	24.9/11.3
TYPE E	15.59"*14.33"*8.66" 396*364*220mm	8	2.02/0.92	2.42/1.10
TYPE F	15.1"*14.3"*8.9" 383*364*225mm	8	4.9/2.2	41.9/19.0
TYPE G	16.7"*10.0"*16.7" 425*253*425mm	8	4.2/1.9	36.6/ 16.6
TYPE H	13.94"*10.24"*16.7" 354*260*425mm	8		

Safety Information

- Using the standard working voltage: AC100~277V/120-347V/277-480V, 50/60Hz, do not exceed.
- Be sure the power supply is turned off before installation.
- Switch off power of the mains supply or the connection lead respectively before doing any works.
- Please note waterproof, dustproof, electricity prevention and shockproof for the external power wires.
- Directly fix bolts on the installation stem through the hole on the mounting bracket.
- Be sure the connection between the wires is in good condition when install the lamps, beware of leakage.
- Please read the specification carefully before installation.
- The complete installation must be handled by an electrical expert.